



- Body and tank in stainless steel construction 18/10 AISI 304,

- Tunnel composition:
 - 1 Wash - wash arms : 3 upper + 2 lower
 - 1 Rinse - rinse arms : 1 upper + 1 lower

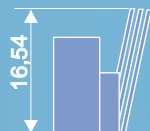
- Completely automatic,
- Upper and lower fixed washing (60 °C)
- Upper and lower fixed rinsing (85-90 °C)
- Washing and rinsing arms in stainless steel constructions, easy disassembly and interchangeable,
- Double skin with thermic and acoustic insulation
- Drawn washing tank with rounded edges,
- Stainless steel autodrainage pump,
- The drain valve allows to automatically empty the tank simply by pressing a button,
- Counterbalanced door,
- Tank and pump filters,
- Insulated boiler,

M115S

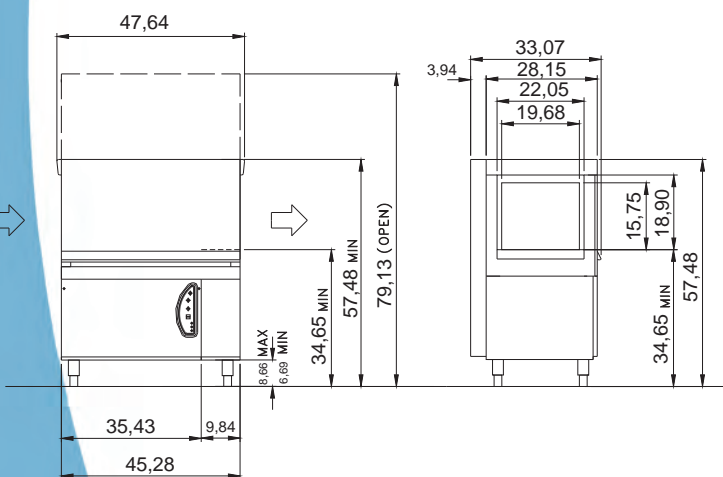


OPTIONS

- Steam condenser
- Heat recoverer
- Drying tunnel
- Heat pump
- Automati start
- Accessories and baskets/dishes handling system



basket



Specifications	M115 S	
VOLTAGE	208/3ph - 60 Hz	V
PRODUCTION (baskets/H)	70	N
(dishes/H)	1120	N
WASHING		
TANK CAPACITY	61	Lt
PUMP POWER	1100	W
TANK HEATING	6000	W
RINSING		
WATER CONSUMPTION	210	Lt/H
BOILER HEATING	13500	W
GEARED MOTOR	0.13	kW
TOTAL RATING	14730	W
WATER CONNECTION	131	°F
WATER PRESSURE	20±5	psi
WATER HARDNESS	5 ÷ 10	Th(°f)
RINSING WATER TEMPERATURE	180 ÷ 195	°F
WATER INLET	3/4"	"G
WATER OUTLET	1 1/2"	"G
NET WEIGHT	180	Kg
GROSS WEIGHT	45,25x33,07xH57,48	inch
NOISE LEVEL	<70	dB(A)

The manufacturer reserves the right to make modifications of materials and models without warning.