



EV9100-37

CB20-312E Water Filter

High flow, high capacity carbon filter for chlorine and chloramine reduction



CB20-312E System: EV9100-37

312 Replacement Cartridge Kit:
EV9105-34

Kit contains: (1) CC1E replacement cartridge
and (2) CC3E replacement cartridge

BENEFITS

- Improves the taste and consistency of beverages and ice by reducing chloramine, chlorine and other off-tastes and odors
- CC1E extended service cartridge contains radial flow granular activated carbon (GAC)
- CC3E cartridges fine filter water by reducing sediment and dirt larger than 1/2 micron in size
- Reduces asbestos fibers and cysts such as Cryptosporidium and Giardia
- High pressure housing includes head with pressure relief valve, mounting bracket and bowl
- Integral inlet and outlet pressure gauge monitors operation
- NSF Certified under NSF/ANSI Standards 42 and 53

INSTALLATION TIPS

- Choose a mounting location which is suitable to support the full weight of the system when operating (90 lbs.)
- 3/4" FNPT inlet and outlet connection
- Install on cold water lines only
- Do not install where unit is exposed to direct sunlight
- Allow a minimum of 4" clearance under the filter to facilitate cartridge change
- Do not braze/solder fittings into head
- Never use a saddle valve for connection

OPERATION TIPS

- Change cartridges on a regular 6 month preventative maintenance program
- Change cartridges when capacity is reached (60,000 gallons) or when flow becomes too slow
- Change cartridges when the difference between the two pressure gauges is greater than or equal to 20 psi
- Service flow rate must not exceed 5.0 gpm
- After installing CC1E cartridge, flush at full flow for 5 minutes. Install CC3E cartridges and flush system for 10 minutes

APPLICATION/SIZING

- For high flow, high volume foodservice applications requiring chloramine reduction
- Capacity: 60,000 gallons (227,100L)
- Up to 5 gpm (19 Lpm) flow rate
- For coffee and ice applications, add scale reduction feeder at outlet of system. Part no. EV9798-45

CB20-312E Water Filter

SPECIFICATIONS

Overall Dimensions:
29-1/2"H x 25"W x 15-1/8"D

Inlet connection:
3/4" FNPT

Outlet connection:
3/4" FNPT

Service Flow Rate:
Maximum 5.0 gpm (19 Lpm)

Capacity: 60,000 gallons (227,100L)

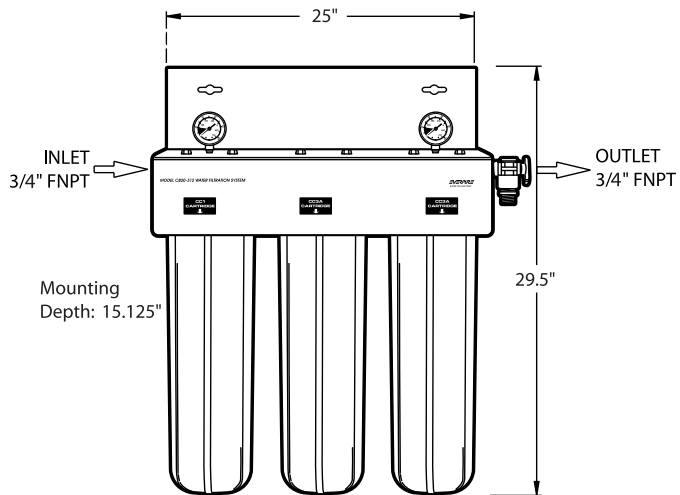
Pressure Requirements:
20 - 100 psi (1.4 - 6.9 bar), non-shock

Temperature:
35 - 100°F (2 - 38°C)

No electrical connection required

Shipping Weight: 82 lbs.

The contaminants or other substances removed or reduced by this drinking water system are not necessarily in your water. Do not use with water that is microbiologically unsafe or of unknown quality without adequate disinfection before or after the system. Systems certified for cyst reduction may be used with disinfected water that may contain filterable cysts.



WARRANTY

Everpure water treatment systems (excluding replaceable elements) are covered by a limited warranty against defects in material and workmanship for a period of five years after date of purchase. Everpure replaceable elements (filter cartridges and water treatment cartridges) are covered by a limited warranty against defects in material and workmanship for a period of one year after date of purchase. See printed warranty for details. Everpure will provide a copy of the warranty upon request.



System Tested and Certified by NSF International against NSF/ANSI Standard 42 and 53 for the reduction of:

- Standard No. 42: Aesthetic Effects
Chemical Unit
Taste and Odor Reduction
Chlorine Reduction
Chloramine Reduction
Mechanical Filtration Unit
- Particulate Reduction, Class I:
99.9+% reduction of particles one-half micron and larger in size
- Standard No. 53: Health Effects
Mechanical Filtration Unit
Turbidity Reduction
Cyst Reduction



EVERPURE, INC.
2375 Sanders Road
Northbrook, IL 60062
Toll Free (800) 323-7873
Tel (847) 205-6000
Fax (800) 942-0081
<http://www.everpure.com>

In Europe:
N.V. EVERPURE (EUROPE) S.A.
Geldenaaksebaan 478
B-3001 Heverlee
Belgium
Tel 32-16-401191
FAX 32-16-402691

In Japan:
EVERPURE JAPAN, INC.
1-8-19, Tsumada Kita,
1-Chome, Atsugi City
Kanagawa Ken 243-0812
Japan
Tel 81-462-23-6563
FAX 81-462-21-6775

Everpure, Inc.
2375 Sanders Road
Northbrook, IL 60062
Phone: 800-323-7873 Fax: 800-942-0081