



EV9100-51

CB20-124E Water Filter

High flow, high capacity carbon filter for chlorine and chloramine reduction



CB20-124E System: EV9100-51

124 Replacement Cartridge Kit:
EV9105-02

Kit contains: (1) CC1E replacement cartridge

BENEFITS

Improves the taste and consistency of beverages and ice by reducing chloramine, chlorine and other off-tastes and odors

CC1E extended service cartridge contains radial flow granular activated carbon (GAC)

High pressure housing includes head with pressure relief valve, mounting bracket and bowl

Integral outlet pressure gauge monitors operation

Easily plumbs to existing filtration systems to add chloramine reduction capability

Complete modular package lets you expand capacity as needed

NSF Certified under NSF/ANSI Standard 42

INSTALLATION TIPS

Choose a mounting location which is suitable to support the full weight of the system when operating (30 lbs.)

3/4" FNPT inlet and outlet connection

Install on cold water lines only

Do not install where unit is exposed to direct sunlight

Allow a minimum of 4" clearance under the filter to facilitate cartridge change

Do not braze/solder fittings into head

Never use a saddle valve for connection

OPERATION TIPS

Change cartridge on a regular 6 month preventative maintenance program

Change cartridge when capacity is reached (15,000 gallons) or when flow becomes too slow

Change cartridge when the difference between the inlet pressure and the system outlet gauge is greater than or equal to 20 psi

Service flow rate must not exceed 5.0 gpm

Always flush the filter cartridge to drain for fifteen minutes at time of installation and cartridge change

APPLICATION/SIZING

For high flow, high volume foodservice applications requiring chloramine reduction

Capacity: 15,000 gallons (56,775L)

Up to 5 gpm (19 Lpm) flow rate

For coffee and ice applications, add scale reduction feeder at outlet of system. Part no. EV9798-45

CB20-124E Water Filter

SPECIFICATIONS

Overall Dimensions:
25-7/8"H x 7-1/4"W x 8-1/2"D

Inlet connection:
3/4" FNPT

Outlet connection:
3/4" FNPT

Service Flow Rate:
Maximum 5.0 gpm (19 Lpm)

Capacity: 15,000 gallons (56,775L)

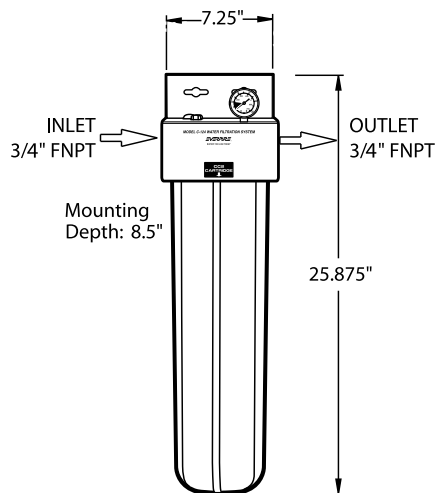
Pressure Requirements:
20 - 100 psi (1.4 - 6.9 bar), non-shock

Temperature:
35 - 100°F (2-38°C)

No electrical connection required

Shipping Weight: 22 lbs.

The contaminants or other substances removed or reduced by this drinking water system are not necessarily in your water. Do not use with water that is microbiologically unsafe or of unknown quality without adequate disinfection before or after the system. Systems certified for cyst reduction may be used with disinfected water that may contain filterable cysts.



WARRANTY

Everpure water treatment systems (excluding replaceable elements) are covered by a limited warranty against defects in material and workmanship for a period of five years after date of purchase. Everpure replaceable elements (filter cartridges and water treatment cartridges) are covered by a limited warranty against defects in material and workmanship for a period of one year after date of purchase. See printed warranty for details. Everpure will provide a copy of the warranty upon request.



System Tested and Certified by NSF International against NSF/ANSI Standard 42 for the reduction of:

Standard No. 42: Aesthetic Effects
Chemical Unit
Taste and Odor Reduction
Chlorine Reduction
Chloramine Reduction



EVERPURE, INC.
2375 Sanders Road
Northbrook, IL 60062
Toll Free (800) 323-7873
Tel (847) 205-6000
Fax (800) 942-0081
<http://www.everpure.com>

In Europe:
N.V. EVERPURE (EUROPE) S.A.
Geldenaaksebaan 478
B-3001 Heverlee
Belgium
Tel 32-16-401191
FAX 32-16-402691

In Japan:
EVERPURE JAPAN, INC.
1-8-19, Tsumada Kita,
1-Chome, Atsugi City
Kanagawa Ken 243-0812
Japan
Tel 81-462-23-6563
FAX 81-462-21-6775

Everpure, Inc.
2375 Sanders Road
Northbrook, IL 60062
Phone: 800-323-7873 Fax: 800-942-0081