



EV9100-94

# S0-24 System

Softening System for espresso applications



S0-24 Espresso System with Softening Cartridge: EV9100-94

S0-204 Softening Cartridge: DEV9105-45

## BENEFITS

20" large capacity softening system for espresso machines reduces scale-forming minerals like calcium and magnesium

Reduces scale forming minerals by ion exchange

May be used on water having up to 30 grains per gallon (500 mg/L) hardness

Useful where full size water conditioners are impractical

Includes mounting bracket, pressure relief valve and filter wrench

Recommended to be used in conjunction with an Everpure filtration system

## INSTALLATION TIPS

Choose a mounting location suitable to support the full weight of the system when operating

Use 1" water line

Install vertically with bowl hanging down

Allow 2-1/2" clearance below the cartridge for easy cartridge replacement

Flush cartridges by running water through for one minute at full flow

Make sure O-ring on bowl is sufficiently lubricated

Always screw on bowls by hand; Do not use a housing wrench

## OPERATION TIPS

Change cartridges on a regular 6 month preventative maintenance program

Change cartridges when hardness of treated water increases to more than 3 gpg

Service flow rate must not exceed 2.0 gpm

Always flush the cartridge at time of installation and cartridge change

To determine cartridge life, divide total capacity of cartridge (4,400 grains) by the hardness in grains per gallon (gpg) or milligrams per liter (ppm), respectively

## APPLICATION/SIZING

For commercial espresso, specialty coffee and ice tea machines

4,500 grain softening capacity

Divide cartridge grain capacity by grains per gallon in influent water to calculate total gallons product water

# S0-24 System

## SPECIFICATIONS

### Overall Dimensions:

24"H x 8"W x 7"D

Inlet connection: 1"

Outlet connection: 1"

### Service Flow Rate:

Maximum 2.0 gpm (7.6 Lpm)

### Pressure Requirements:

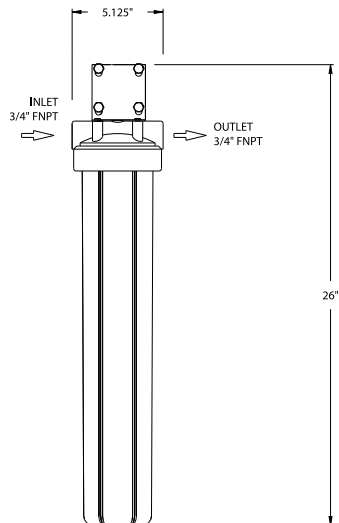
10 - 125 psi (0.7 - 8.6 bar), non-shock

### Temperature:

35 - 100°F (2 - 38°C)

No electrical connection required

Shipping Weight: 21 lbs.



## WARRANTY

Everpure water treatment systems (excluding replaceable elements) are covered by a limited warranty against defects in material and workmanship for a period of five years after date of purchase. Everpure replaceable elements (filter cartridges and water treatment cartridges) are covered by a limited warranty against defects in material and workmanship for a period of one year after date of purchase. See printed warranty for details. Everpure will provide a copy of the warranty upon request.



EVERPURE, INC.  
2375 Sanders Road  
Northbrook, IL 60062  
Toll Free (800) 323-7873  
Tel (847) 205-6000  
Fax (800) 942-0081  
<http://www.everpure.com>

*In Europe:*  
N.V. EVERPURE (EUROPE) S.A.  
Geldenaaksebaan 478  
B-3001 Heverlee  
Belgium  
Tel 32-16-401191  
FAX 32-16-402691

*In Japan:*  
EVERPURE JAPAN, INC.  
1-8-19, Tsumada Kita,  
1-Chome, Atsugi City  
Kanagawa Ken 243-0812  
Japan  
Tel 81-462-23-6563  
FAX 81-462-21-6775

Everpure, Inc.  
2375 Sanders Road  
Northbrook, IL 60062  
Phone: 800-323-7873 Fax: 800-942-0081