



EV9336-52

Parallel 202 Prefilter Kit

High-volume prefilter system maximizes life of submicron filters



Parallel 202 Prefilter Kit: EV9336-52
 EC204 Replacement Cartridge: EV9108-40
 Parallel 202 Without Surge Tank: EV9100-24
 Extra Capacity Surge Tank: EV9336-51

BENEFITS

Delivers quality water to high volume fountain dispensers, coffee makers and ice machines where extreme water conditions demand larger capacity filters

Ideal for water supplies with excessive dirt loads

Special dual gradient prefilter cartridges reduce dirt and other particles at least 10 microns in size

Parallel 4" x20" sumps hold high efficiency cartridges

Extends the life of submicron filter system cartridges

Built-in water meter determines water demand and usage for all equipment

Additional draw down capacity for high volume locations and peak demand times

Allows for 12-gallon reserve of filtered water

Includes fittings for connections to existing Everpure filtration systems

INSTALLATION TIPS

Never use saddle valve for connection

Use 3/4" water line

Install vertically with bowls hanging down

Allow 2-1/2" clearance below the cartridge for easy cartridge replacement

Flush cartridges by running water through flushing valve for five minutes at full flow

OPERATION TIPS

Change cartridges on a regular 6 month preventative maintenance program

Change cartridges when capacity is reached or when pressure falls below 10 psi

Service flow rate must not exceed 10.0 gpm

Always flush the filter cartridge at time of installation and cartridge change

APPLICATION/SIZING

Add-on components address high particulate, algae and other related water issues

High volume combination applications

Extends the life of submicron filters

Parallel 202 Prefilter Kit

SPECIFICATIONS

Overall Dimensions:
26-1/8"H x 23-1/4"W x 8.5"D

Inlet connection: 3/4"

Outlet connection: 3/4"

Service Flow Rate:
Maximum 10.0 gpm (37.8 Lpm)

Pressure Requirements:
10 - 90 psi (0.7 - 6.2 bar), non-shock

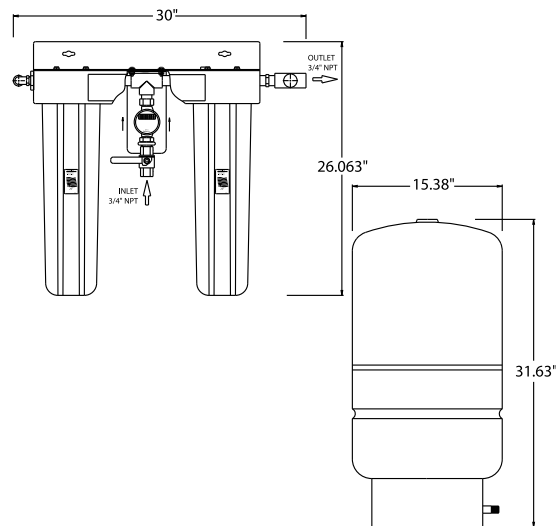
Temperature: 35°F - 100°F (2-38°C)

No electrical connection required

Shipping Weight: Prefilter 32.5 lbs. ; Surge tank 35 lbs.

Operating Weight: Prefilter 41.5 lbs.; Surge tank 133 lbs.

The contaminants or other substances removed or reduced by this drinking water system are not necessarily in your water. Do not use with water that is microbiologically unsafe or of unknown quality without adequate disinfection before or after the system. Systems certified for cyst reduction may be used with disinfected water that may contain filterable cysts.



WARRANTY

Everpure water treatment systems (excluding replaceable elements) are covered by a limited warranty against defects in material and workmanship for a period of five years after date of purchase. Everpure replaceable elements (filter cartridges and water treatment cartridges) are covered by a limited warranty against defects in material and workmanship for a period of one year after date of purchase. See printed warranty for details. Everpure will provide a copy of the warranty upon request.

EVERPURE®

EVERPURE, INC.
2375 Sanders Road
Northbrook, IL 60062
Toll Free (800) 323-7873
Tel (847) 205-6000
Fax (800) 942-0081
<http://www.everpure.com>

In Europe:
N.V. EVERPURE (EUROPE) S.A.
Geldenaaksebaan 478
B-3001 Heverlee
Belgium
Tel 32-16-401191
FAX 32-16-402691

In Japan:
EVERPURE JAPAN, INC.
1-8-19, Tsumada Kita,
1-Chome, Atsugi City
Kanagawa Ken 243-0812
Japan
Tel 81-462-23-6563
FAX 81-462-21-6775

Everpure, Inc.
2375 Sanders Road
Northbrook, IL 60062
Phone: 800-323-7873 Fax: 800-942-0081