



EV9797-91  
**MRS-20**

**Complete Mineral Reduction Water Processing System**



MRS-20 System: EV9797-91  
 4CB5 cartridge: EV9617-11  
 MR-20 Cartridge: EV9273-69

**BENEFITS**

- Improves equipment life and performance by removing at least 90%+ of all dissolved solids that cause scale build-up
- Especially useful on low capacity steamers, warmers, small steam boilers and other evaporative equipment that are not emptied each day
- Heating surfaces maintain peak heat transfer efficiency, reducing cycle times and energy consumption
- Protects against taste and odor causing contaminants while removing dirt, particulates and dissolved minerals
- Less frequent deliming of equipment means reduced maintenance and service costs
- Sanitary cartridge replacement is simple, quick and clean. Internal filter parts are never exposed to handling or contamination
- Two-part design makes installation flexible, and small footprint easily fits in any kitchen

**INSTALLATION TIPS**

- Choose a mounting location suitable to support the full weight of the system when operating
- Mount system convenient to the post water softener supply line and for routing the outlet and drain lines
- The tank assembly may be mounted above, below or alongside (preferred) of the water processor assembly
- Install vertically with cartridges hanging down. Allow 2-1/2" clearance below the cartridge for easy cartridge replacement
- The water inlet must supply a minimum of 0.5gpm at 50-85 psi on a consistent basis
- Deliming of equipment prior to application is recommended

**OPERATION TIPS**

- Replace the 4CB5 carbon filter every 12 months. Change the MR-20 mineral reduction cartridge every two years, or as needed.
- Cartridge replacement schedules assume the system is installed on softened water.
- Outlet Water Production: 21 gal per day (79.5 Liters per day) @ 60 psig (420 kPa), 77° F (25° C). Water production depends on supply water pressure and temperature.
- Wastewater Production: 74 gal. per day (280l) @ 60 psig (414 kPa), 77° F (25° C).
- Wastewater drain line capacity: 3 gpm (11.4 lpm) to open atmosphere
- Storage Tank Capacity: 3 gallon tank; effective/usable capacity: 2.5 gal. (9.5l)

**APPLICATION/SIZING**

- Mineral Reduction System for foodservice applications
- Ideal for: Flash steamers, conventional steamers, cheese melters, combi-ovens and coffee/espresso machines
- Uniquely designed for low volume applications (approximately 21 gpd nominal consumption)
- System includes mineral reduction processor, carbon filter cartridge, reverse osmosis cartridge, and storage tank

# MRS-20

## SPECIFICATIONS

### Overall Dimensions:

Processor - 25"H x 22.5"W x 5"D

Tank - 27"H x 22.5"W x 11.25"D

### Inlet and Outlet connection:

3/8" OD John Guest tubing fitting (provided)

3/8" ID beverage hose

### Wastewater line and Sample port connection:

1/4" OD John Guest tubing fitting (provided)

### Pressure Requirements:

10 psi-125 psi (69-862 kPa), non-shock

### Water Supply:

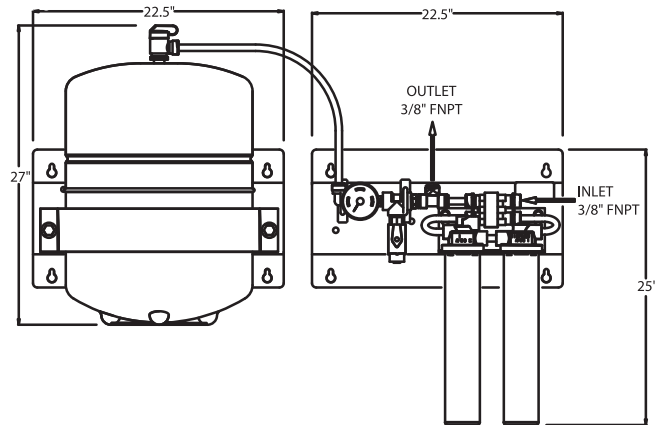
0.5 gpm (1.9l) @ 50-85 psi (345-586 kPa)

Inlet Temperature: 40-100°F (4-38°C)

Inlet TDS: 1,500 ppm max recommended

Operating Weight: 50 lbs.

The contaminants or other substances removed or reduced by this drinking water system are not necessarily in your water. Do not use with water that is microbiologically unsafe or of unknown quality without adequate disinfection before or after the system. Systems certified for cyst reduction may be used with disinfected water that may contain filterable cysts.



## WARRANTY

Everpure water treatment systems (excluding replaceable elements) are covered by a limited warranty against defects in material and workmanship for a period of five years after date of purchase. Everpure replaceable elements (filter cartridges and water treatment cartridges) are covered by a limited warranty against defects in material and workmanship for a period of one year after date of purchase. See printed warranty for details. Everpure will provide a copy of the warranty upon request.

### EVERPURE®

#### Worldwide Headquarters:

EVERPURE, LLC  
1040 Muirfield Drive  
Hanover Park, Illinois 60133  
Toll Free (800) 323-7873  
Tel (630) 307-3000  
Fax (630) 307-3030  
<http://www.everpure.com>

#### In Europe:

Pentair Water Belgium B.V./B.A.  
Industriepark Wolfstee  
Toekomstlaan 30  
B-2200 Herentals  
BELGIUM  
TEL: +32.(0).14.283.500  
FAX: +32.(0).14.283.505

#### In Japan:

Hashimoto MN Bldg. 7F  
3-25-1 Hashimoto Sagamihara-Shi  
Kanagawa 229-1103  
JAPAN  
TEL: 81.(0)42.775.3011  
FAX: 81.(0)42.775.3015

Everpure  
1040 Muirfield Drive  
Hanover Park, IL 60133