



CHEF BASES

Side Mounted Condensing Unit

ECB – Series

- ECB52D2 • ECB52-60D2 • ECB72D4
- ECB82D4 • ECB82-84D4 • ECB82-86D4 • ECB96D4

Cabinet Construction

Heavy duty stainless steel interior and exterior, galvanized steel finished bottom and back wall of exterior. High quality 15 gauge stainless steel worktop. 2.5" thick high density foamed-in-place polyurethane insulation. Four (or six) 4" diameter casters (front casters with brakes) with additional front weight support legs. 12 gauge sheet metal caster brackets installed at bottom of cabinet to support heavy weight on worktop. Air chamber, vent system and high heat insulation tech-mat layer allow worktop surface to withstand up to 500°F which eliminates warping and bubbling of sheet metal from prolonged exposure to high temperatures from mounted cooking equipment. Durable stainless steel corner guards mounted on the top surface prevent cooking equipment from accidentally sliding off the unit. Heavy duty stainless steel top surface grips for easy and safe maneuverability of the unit.

Refrigeration System

- Side mounted condensing unit for large compartment use for drawers
- Oversized condenser and evaporator coil cools to set and maintain temperature in minimum time period
- Forced-air cooling with two (or three) evaporator fan motors providing balanced airflow throughout cabinet to ensure faster temperature drop
- Removable side panel and slide-out condensing unit for convenient repair and maintenance
- Removable condenser coil air filter for easy cleaning
- Environmentally friendly CFC free R-134A refrigerant
- Air defrost, temperature initiated and terminated
- Copper tube and aluminum fin evaporator with anti-corrosive coating
- Energy efficient condensate drain pan assembly heated by high side copper tube
- Pressure relief port located at housing interior for rapid re-entry
- Pre-wired and ready to plug, 115V/60Hz/1Ph, NEMA 5-15P

Drawers

- Heavy duty stainless steel interior and exterior
- Heavy duty 304 stainless steel drawer frames with low-friction bearing slides
- Low friction bearing slides for easy opening and closing
- 2" thick foamed-in-place polyurethane insulation
- Rounded corners for a sleek and modern appearance
- One piece snap-in drawer gasket for easy replacement
- Heavy duty recessed door handles for a flat surface
- Sanitary PVC full size pans
(Note: refer to the website for *pan configurations*)

Temperature Control

- Factory preset temperature, 35°F
- Temperature setting range from 33°F to 41°F
- Easy to read digital temperature display
- Easy to program push button temperature control
- Microchip digital monitoring system with a variety of functions to monitor and maintain optimum temperature



ECB52D2



ECB52-60D2



ECB72D4



ECB82D4



ECB82-84D4



ECB82-86D4



ECB96D4

<ul style="list-style-type: none"> • Project / Customer _____ • Item No. _____ • Model No. _____ 	<p>Warranty</p> <p>2 Year — Parts & Labor 5 Year — Compressor</p>	<p>Please visit our website for updated Energy Efficiency information</p> <p>201 W. Artesia Blvd, Compton, CA 90220 T. (310) 323-6586, (800) 444-6285 F. (310) 323-7524 www.EVERESTref.com</p>	
---	--	--	--

CHEF BASES

Side Mounted Condensing Unit

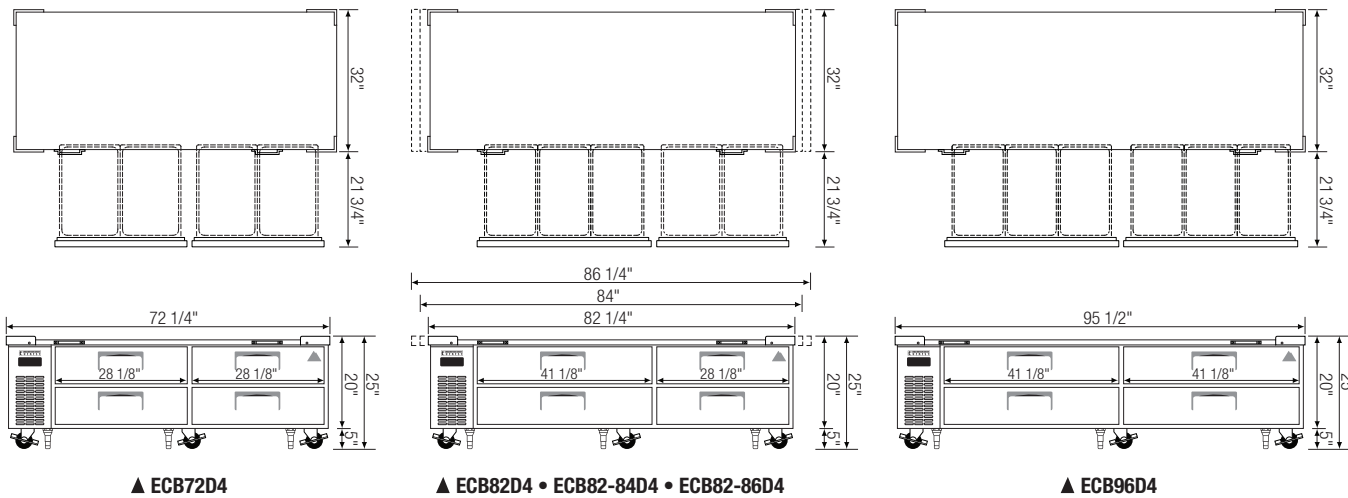
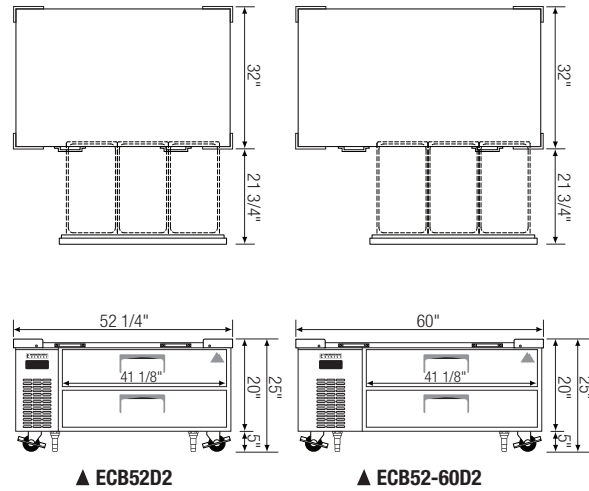
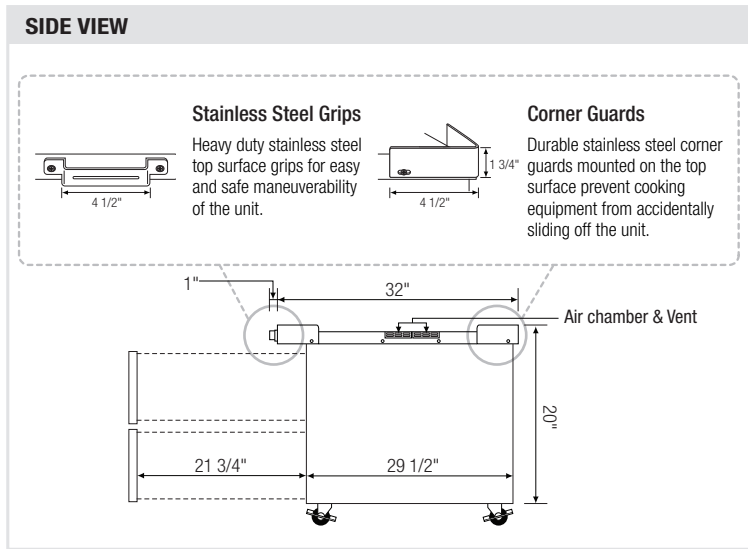


ECB – Series

- ECB52D2 • ECB52-60D2 • ECB72D4
- ECB82D4 • ECB82-84D4 • ECB82-86D4 • ECB96D4

Dimensions

SIDE VIEW



Model	Ref/ Fzr/ Dual	# of Drawers	# of Full Pan Capacity (Cu.Ft.)	HP	Refrigerant	Power (V-Hz-Ph)	Amps	Max. Weight Support Capacity (LBS)	Crated Weight (LBS)	Exterior Dimensions (Inches)			* Height does not include 5" for caster. † Depth does not includes 1" of stainless steel grip. Ref = Refrigerator Fzr = Freezer Dual = Ref & Fzr Combo
										L	D †	H *	
ECB52D2	Ref	2	6	1/4	R-134A	115-60-1	3.90	717	302	52 1/4	32	20	
ECB52-60D2	Ref	2	6	1/4	R-134A	115-60-1	3.90	717	320	60	32	20	
ECB72D4	Ref	4	8	1/4	R-134A	115-60-1	5.20	1,084	370	72 1/4	32	20	
ECB82D4	Ref	4	10	1/3	R-134A	115-60-1	6.00	1,084	429	82 1/4	32	20	
ECB82-84D4	Ref	4	10	1/3	R-134A	115-60-1	6.00	1,084	450	84	32	20	
ECB82-86D4	Ref	4	10	1/3	R-134A	115-60-1	6.00	1,084	462	86 1/4	32	20	
ECB96D4	Ref	4	12	1/3	R-134A	115-60-1	6.00	1,434	458	95 1/2	32	20	

Specifications subject to change without notice.

www.EVERESTref.com

201 W. Artesia Blvd, Compton, CA 90220
T. (310) 323-6586, (800) 444-6285 F. (310) 323-7524