



GLASS & SOLID COMBINATION HALF-DOOR UPRIGHT REACH-IN REFRIGERATORS

Top Mounted Condensing Unit

EG – Series

• EGS2 • EGS2H2 • EGS4 • EGSWH4 • EGS6

Cabinet Construction

Heavy duty stainless steel interior and exterior, and galvanized steel finished top, bottom and back wall of exterior. ABS evaporator drain cover. 2.5" thick high density foamed-in-place polyurethane insulation. Four 4" diameter casters (front casters with brakes). Door heater installation around inside cabinet frame to prevent moisture build-up.

Refrigeration System

- Self-contained condensing unit located at top of cabinet for high performance
- Oversized condenser and evaporator coil cools to set and maintain temperature in minimum time period
- Forced-air cooling with dual evaporator fan motors providing balanced airflow throughout cabinet to ensure faster temperature drop
- Environmentally friendly CFC free R-134A refrigerant
- Adjustable, time initiated defrost cycle of 3 to 12 hours with 350 watt heater, both time and temperature terminated for fail-safe backup
- Automatic evaporator fan motor delay on defrost cycle
- Copper tube and aluminum fin evaporator with anti-corrosive coating
- Energy efficient condensate drain pan located at bottom of cabinet constructed of anodized aluminum
- Two pressure relief ports located at exterior back wall and top of cabinet for rapid re-entry
- Interior airflow backward to ensure proper air circulation
- Pre-wired and ready to plug, 115V/60Hz/1Ph, NEMA 5-15P

Doors

- Grey PVC door frames
- Low emitting double pane glass system reflects UV rays and improves insulation for maximized energy efficiency
- Heavy duty stainless steel both interior and exterior
- 2.5" thick formed-in-place polyurethane insulation
- Rounded corners for a sleek and modern appearance
- Heavy duty die-cast handle for glass doors and recessed handle for solid doors

Lighting

- Safety shielded vertical LED interior lighting with on/off switch for energy saving, less heat generation and enhanced illumination

Shelving

- Four epoxy coated wire shelves per section
- Stainless steel pilasters and shelf clips

Temperature Control

- Factory preset temperature, 35°F for refrigerators and -4°F for freezers
- Temperature setting range from 33°F to 54°F for refrigerators and -10°F to 54°F for freezers
- Easy to read digital temperature display
- Easy to program push button temperature control
- Microchip digital monitoring system with a variety of functions to monitor and maintain optimum temperature



EGSH2



EGSDH2
(Dual Temp)



EGSH4



EGSWH4



EGSH6

• Project / Customer _____
• Item No. _____
• Model No. _____

Warranty

5 Year — Compressor Warranty
3 Year — Parts & Labor Warranty
Applicable to units purchased after July 1, 2014



Please visit our website for updated Energy Efficiency information

201 W. Artesia Blvd, Compton, CA 90220
T. (310) 323-6586, (800) 444-6285 F. (310) 323-7524
www.EVERESTref.com

GLASS & SOLID COMBINATION HALF-DOOR UPRIGHT REACH-IN REFRIGERATORS

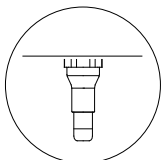
Top Mounted Condensing Unit



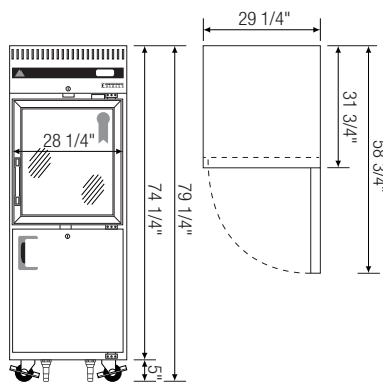
EG – Series

• EGS2 • EGS2H2 • EGS4 • EGSWH4 • EGS6

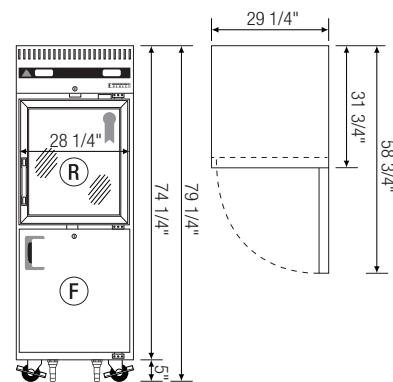
Dimensions



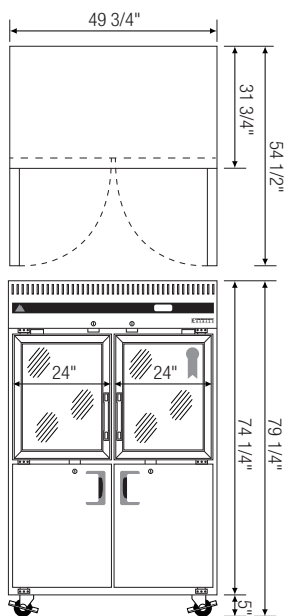
Two additional front adjustable stainless steel clad ABS legs for model EGS2 & EGS2H2 to prevent movement of unit when opening and closing doors, and one additional leg for model EGS6 to support weight in the middle



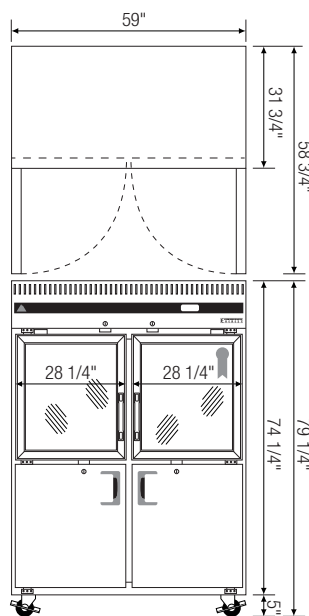
▲ EGS2



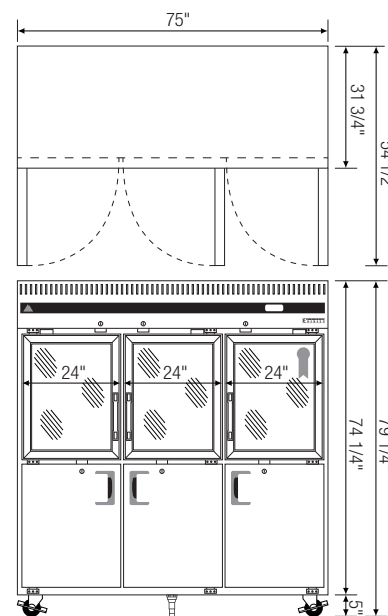
▲ EGS2H2
(Dual Temp)



▲ EGS4



▲ EGSWH4



▲ EGS6

Model	Ref/ Fzr/ Dual	# of Doors	Capacity (Cu.Ft.)	HP	Refrigerant	# of Shelves	Power (V-Hz-Ph)	Amps	Crated Weight (LBS)	Exterior Dimensions (Inches)			* Height does not include 5" for caster. Ref = Refrigerator Fzr = Freezer Dual = Ref & Fzr Combo H = Half Door F = Full Door
										L	D	H*	
EGS2	Ref	2(H)	23	1/3	R-134A	4	115-60-1	4.47	306	29 1/4	31 3/4	74 1/4	
EGSDH2	Dual	2(H)	11(Ref) 11(Fzr)	1/2	R-404A	4	115-60-1	7.70	315	29 1/4	31 3/4	74 1/4	
EGS4	Ref	4(H)	48	1/3+	R-134A	8	115-60-1	7.57	437	49 3/4	31 3/4	74 1/4	
EGSWH4	Ref	4(H)	55	1/3+	R-134A	8	115-60-1	8.35	481	59	31 3/4	74 1/4	
EGS6	Ref	6(H)	71	1/3+ x 2	R-134A	12	115-60-1	9.49	585	75	31 3/4	74 1/4	

Disclaimer: Product dimensions are for general purposes and not absolute value. Slight variations may exist. If dimensions are critical, please contact Everest.

Specifications subject to change without notice.

www.EVERESTref.com

201 W. Artesia Blvd, Compton, CA 90220
T. (310) 323-6586, (800) 444-6285 F. (310) 323-7524