



# DRAWERED SANDWICH PREP. TABLES

Back Mounted Condensing Unit

## EPBN – Series

• EPBNR1-D2 • EPBNSR2-D2 • EPBNR2-D4 • EPBNWR2-D4 • EPBNR3-D2

### Cabinet Construction

Heavy duty stainless steel interior and exterior, galvanized steel finished bottom and back wall of exterior. High quality 16 gauge stainless steel worktop, top lid and hood. 2.5" thick high density foamed-in-place polyurethane insulation. Four 4" diameter casters (front casters with brakes). Door and drawer heater installation around inside cabinet frame to prevent moisture build-up.

### Refrigeration System

- Back mounted condensing unit
- Oversized condenser and evaporator coil cools to set and maintain temperature in minimum time period
- Forced-air cooling with oversized evaporator fan motors providing balanced airflow throughout cabinet to ensure faster temperature drop
- Slide-out condensing unit for convenient repair and maintenance
- Front air breathing for built-in applications
- Environmentally friendly CFC free R-134A refrigerant
- Air defrost controlled by electrical timer
- Copper tube and aluminum fin evaporator with anti-corrosive coating
- Energy efficient condensate drain pan assembly heated by high side copper tube
- Pressure relief port located at housing interior for rapid re-entry
- Pre-wired and ready to plug, 115V/60Hz/1Ph, NEMA 5-15P

### Doors & Drawers

- Heavy duty stainless steel interior and exterior
- 2.5" thick high density foamed-in-place polyurethane insulation
- Rounded corners for a sleek and modern appearance
- Heavy duty adjustable torsion spring self-closing system
- One piece snap-in magnetic door and drawer gasket for easy replacement
- Heavy duty recessed door and drawer handles for a flat surface
- Heavy duty 304 stainless steel drawer frames with low-friction bearing slides (Note: refer to the website for *pan configurations*)

### Preparation Area

- 1/2" thick foam insulated lids to prevent moisture build-up and heat exchange
- Removable and adjustable sanitary 12 1/4" deep cutting board
- Sanitary PVC pans

### Shelving (Model EPBNR3-D)

- One epoxy coated wire shelves per door
- Stainless steel pilasters and shelf clips

### Temperature Control

- Factory preset temperature, 35°F
- Temperature setting range from 33°F to 41°F
- Easy to set analog thermostat



EPBNR1-D2



EPBNSR2-D2



EPBNR2-D4



EPBNWR2-D4



EPBNR3-D2

• Project / Customer \_\_\_\_\_

• Item No. \_\_\_\_\_

• Model No. \_\_\_\_\_

### Warranty

5 Year — Compressor Warranty  
3 Year — Parts & Labor Warranty  
Applicable to units purchased after July 1, 2014



Please visit our website for updated Energy Efficiency information

201 W. Artesia Blvd, Compton, CA 90220  
T. (310) 323-6586, (800) 444-6285 F. (310) 323-7524  
[www.EVERESTref.com](http://www.EVERESTref.com)

# DRAWERED SANDWICH PREP TABLES

Back Mounted Condensing Unit



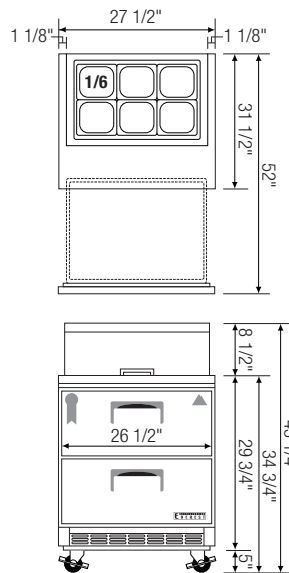
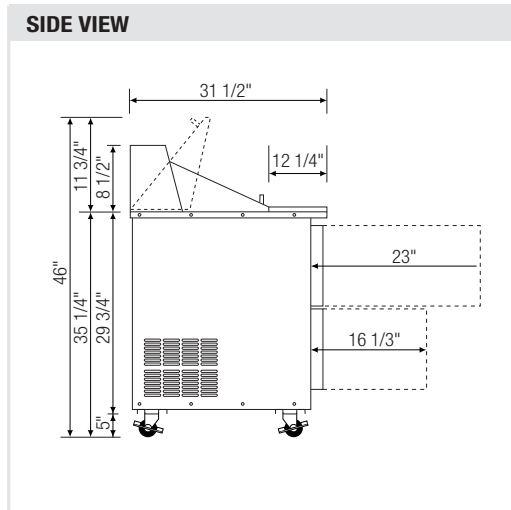
REFRIGERATION  
**EVEREST**

**EPBN – Series**

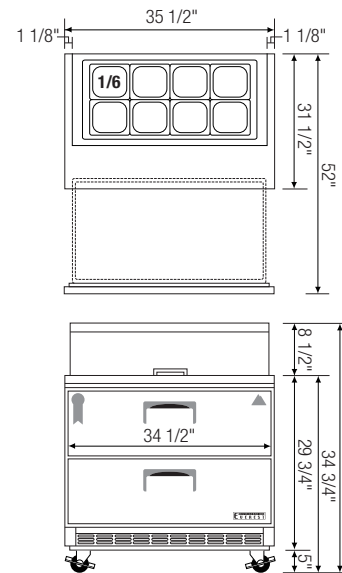
• EPBNR1-D2 • EPBNSR2-D2 • EPBNR2-D4 • EPBNWR2-D4 • EPBNR3-D2

## Dimensions

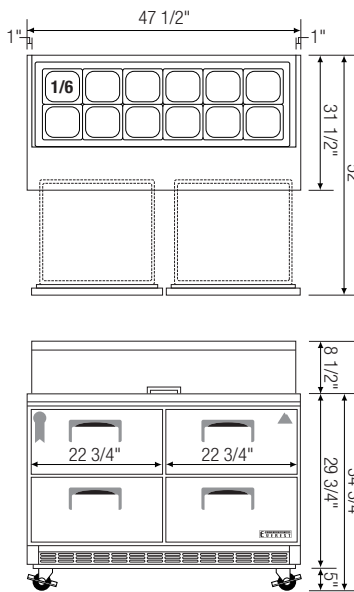
### SIDE VIEW



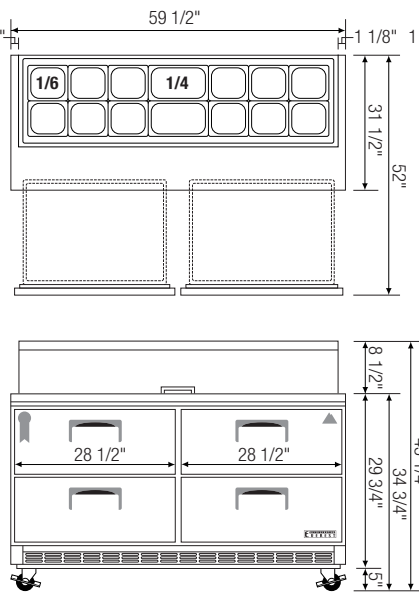
▲ EPBNR1-D2



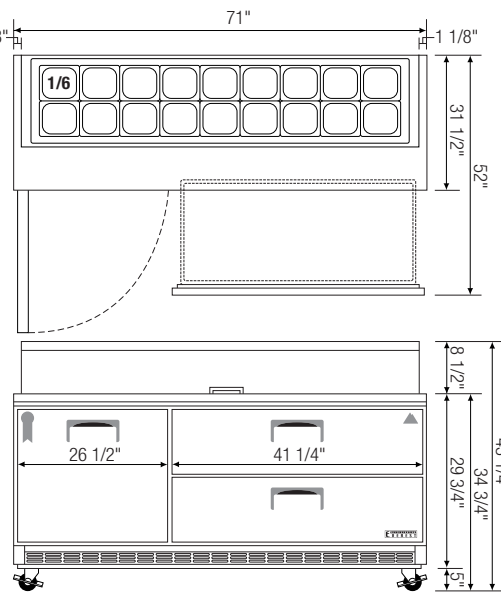
▲ EPBNSR2-D2



▲ EPBNR2-D4



▲ EPBNWR2-D4



▲ EPBNR3-D2

Model	Ref/ Fzr/ Dual	# of Doors & Drawers	Capacity (Cu.Ft.)	HP	Refrigerant	# of Shelves	# of Pans <sup>a</sup> (Top)	# of Pans (Drawer)	Power (V-Hz-Ph)	Amps	Crated Weight (LBS)	Exterior Dimensions (Inches)			* Height does not include 5" for caster.
												L	D	H *	
EPBNR1-D2	Ref	2(DR)	6.5	1/6	R-134A	N/A	1/6 X 6	1/2 x 4 1/4 x 2	115-60-1	4.00	289	27 1/2	31 1/2	37 3/4	<b>a</b> Drawer pans are not included in the products.  Ref = Refrigerator Fzr = Freezer Dual = Ref & Fzr Combo D = Door DR = Drawer
EPBNSR2-D2	Ref	2(DR)	8.5	1/6	R-134A	N/A	1/6 X 8	1/2 x 4, 1/3 x 1 1/4 x 2, 1/6 x 1	115-60-1	4.20	398	35 1/2	31 1/2	37 3/4	
EPBNR2-D4	Ref	4(DR)	11.8	1/4	R-134A	N/A	1/6 X 12	1/2 x 4, 1/3 x 4 1/4 x 2, 1/6 x 2	115-60-1	4.20	443	47 1/2	31 1/2	37 3/4	
EPBNWR2-D4	Ref	4(DR)	15	1/3	R-134A	N/A	1/6 X 12 1/4 x 2	1/2 x 4, 1/3 x 8 1/4 x 2, 1/6 x 4	115-60-1	5.01	439	59 1/2	31 1/2	37 3/4	
EPBNR3-D2	Ref	1(D) 2(DR)	18.3	1/3	R-134A	2	1/6 X 18	1/2 x 2, 1/3 x 8 1/4 x 1, 1/6 x 4	115-60-1	5.20	558	71	31 1/2	37 3/4	

**Disclaimer:** Product dimensions are for general purposes and not absolute value. Slight variations may exist. If dimensions are critical, please contact Everest.

Specifications subject to change without notice.

[www.EVERESTref.com](http://www.EVERESTref.com)

201 W. Artesia Blvd, Compton, CA 90220  
T. (310) 323-6586, (800) 444-6285 F. (310) 323-7524