

# MODEL: FI-200W

Item # \_\_\_\_\_



## SINGLE TANK CONVEYOR

*Clear ideas; brilliant results.*

### Standard Features

- Heavy duty stainless steel construction, Type 304
- Auto-fill
- Auto-start
- Two independent wash motor pumps
- Two speed motor
- **Built-in electric booster heater**
- Electric tank heater
- Low water tank heat protection
- Hi-limit thermostat
- Standard 20" x 20" racks
- Door safety switch
- Adjustable washing and rinsing thermostats
- Energy and Water saver design, only 119gal./hr.
- Top mounted controls
- Separate starter switches ensure wash and rinse are energized only when a rack is in place, reducing water and chemical consumption
- Single point electrical and plumbing connections
- Vacuum breaker
- Fully automatic wash and rinse cycle with correct temperature indicators for consistent cleaning
- Removable front electrical panel for easy access to controls
- Stainless steel non-clogging individual wash and rinse arms
- Wash tank with twin filter and tray system
- Adjustable legs
- Insulated door reduces noise and heat dissipation
- Large 46" door for better accessibility to components and cleanability
- Standard with:
  - (1) CT-10 All purpose rack
  - (1) CP-16/18 Peg rack



### Direction of Operation

- FI-200W L/R-for Left to Right
- FI-200W R/L-for Right to Left

### Options and Accessories

- CT-10 All purpose rack
- CU-20 Cutlery grid
- CP-16/18 Peg rack
- CB-7 Tray rack
- Cutlery container
- Table limit switch
- Vent hood kit w/curtain

### PERFORMANCE / CAPACITIES

Capacities		Temperatures	
Racks per hour	150	Wash	160° F / 71° C
Dishes per hour	3750	Rinse	190° F/ 88° C
Glasses / cups per hour	5400	Heating	
Wash Tank	15 gal. / 55 litre	Electric wash tank heater	9 kw
Water Consumption / Requirements		Electric booster heater	36 kw
Gallons per hr. (Max. use)	119 gal. / 450 litre	Dimensions / Shipping	
Inlet temperature (Optimum)	140°F / 60°C	Width	50" / 1270 mm
Flow rinse pressure	15 – 25 PSI	Depth	37" / 940 mm
Wash Pump Motor		Height	78" / 1981 mm
Motor (hp)	2 x 1 h	Max. clearance for dishes / glasses	18" / 457 mm
Venting		Shipping weight	650lbs / 298 kg
Load end (min. CFM)	200	Shipping volume (cu. ft.)	83
Unoad end (min. CFM)	400		



Fagor Commercial, Inc.  
 12800 N.W. 38th Avenue • Miami, Florida 33054  
 PH.: (305) 779-0170 • FAX: (305) 779-0173  
 Toll Free: 866-GO FAGOR (463-2467)

www.fagorcommercial.com



# MODEL: FI-200W

# SINGLE TANK CONVEYOR

## SPECIFICATIONS

**Construction:** The FI-200W is a fully automatic dishwasher completely constructed of high-quality stainless steel, type 304. Both upper and lower wash and rise arms are constructed of stainless steel to ensure a long life span. Extra wide stainless steel legs are adjustable up to 4" high.

**Door:** The door is constructed of stainless steel, type 304, counter-balanced and insulated to reduce noise and dissipation. Large access door aids machine cleanability.

**Pump:** Our exclusive two pump system each connected to a single wash arm (top and bottom), ensure high pressure re-circulating wash throughout the tank.

**Controls:** Controls are top mounted and accessible for service from the top. Two speed motor and stand-by mode for preparation of the machine.

**Filling and heating system:** The power-on switch automatically fills the tanks to the proper level. Wash and booster tank are heated at the same time earning efficiency in the stand by mode. Wash tank water temperature is maintained by a 9 kw element. **Built-in 36 kw electric booster heater.** Safety thermostats and a pressure switch protect heating elements in case of low water or fail.

**Washing and rinsing:** Separate starter switches ensure wash and rinse are energized only when a rack is in place, reducing water and chemical consumption. **Water consumption only 119 gal./hr.**

**Drainage:** Filter system with removable scrap basket, prevents waste from getting into the washing pumps.

## SERVICE CONNECTIONS

**A1**– Water inlet – 3/4" Female hose connector on 5' long flexible hose supplied with machine; Adaptor for 3/4" female garden hose fitting also supplied; 140°F / 60°C Optimum water temperature; 15-25 psi flow rinse pressure.

**D1**– Drain – 4' long, 3/4" I.D. flexible hose; Maximum 10" drain height permitted; Indirect connection to drain pipe of 1 1/2" (minimum).

**E** – Electrical terminal block connection point – 208-240/60/3 - Use wire suitable for at least 194°F / 90°C.

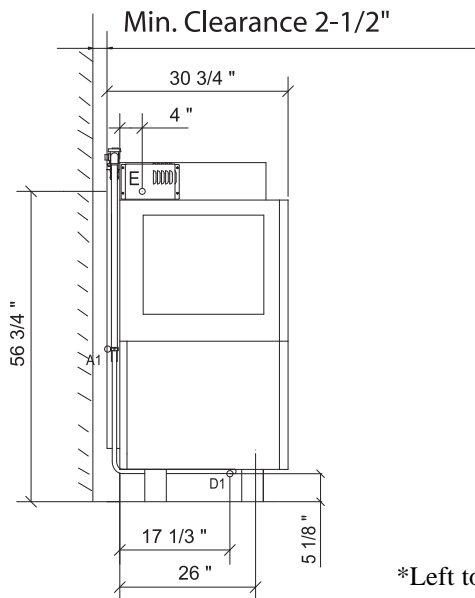
**P** – Terminal block to correct table limit switch, detergent pump and rinse aid dispenser.

## ELECTRICAL AND PRODUCTION LOADS

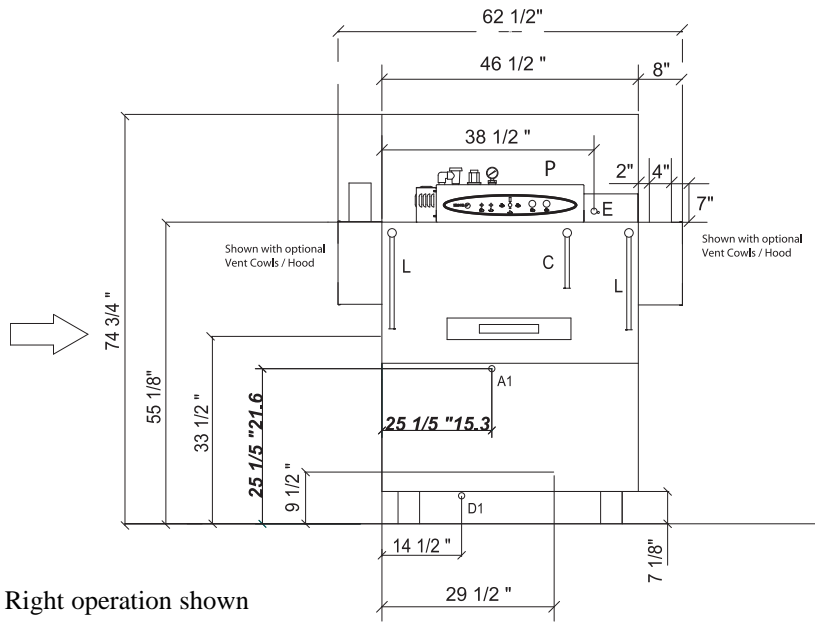
Volts/Hz/Ph	Amps
208/60/3	112
220/60/3	119
240/60/3	129

\*50 Hz models, consult factory

\*\*Dishtables to be supplied by others. Max. 21 1/2" opening; Max. 10" height for flange under vent hood



Side View



Front View

\*Left to Right operation shown

**Caution** - Before connecting water to this unit, have water supply analyzed to make sure hardness is not greater than 2.0 grains and pH level is within the range of 7.0-8.5. Water which fails to meet these standards, should be treated by the installation of a water conditioner. **EQUIPMENT FAILURE CAUSE BY INADEQUATE WATER QUALITY IS NOT COVERED UNDER WARRANTY.**

**Warning** - Installation should be made by qualified personnel who will observe all specified local codes.



Fagor Commercial, Inc.  
12800 N.W. 38th Avenue • Miami, Florida 33054  
PH.: (305) 779-0170 • FAX: (305) 779-0173  
866-GO FAGOR (463-2467)

www.fagorcommercial.com

The manufacturer reserves the rights to modify materials and specifications without notice.  
Printed in the USA • 09/04