

Refrigerated Countertop Rail

CPR Series • CPR-60-4



Item # _____

Standard Features

- Our “CPR” series counter top display is designed for durability and strength that you will not find in any other products in its class.
- All stainless steel interior and exterior construction for a clean and safe food environment. Coved corner floor to meet NSF requirements.
- Elegant top surface with mirror stainless steel finish and full color display.
- Refrigeration is designed to maintain 33° to 41°F in the pans at all times.
- Digital temperature controller with automatic defrost and temperature display to keep food quality for a longer period of time.
- Static refrigeration system to keep pans at NSF required temperatures.
- High density CFC-free polyurethane insulation and balanced CFC-free refrigeration system, R-134A.
- Standard with full sets of 1/6 size pans, clear poly carbonate, 4” deep with lid for serving utensil.
- Mounted on 4 non adjustable rubber legs.



CPR-60-4

Options & Accessories

- 220 volts/ 50 cycles/ 1 phase



ISO -9001

Model	Pans	Volts	Amps	HP	Weight (lbs)	Cabinet Dimensions			Shipping (Wt. Cubes)
						L	D*	H**	
CPR-60-4	4	115	2.3	1/4	112	28-1/8" (715 mm)	16" (408 mm)	11" (280mm)	3.3 (.09 m³)

* Does not include 1" for bumper
 ** Does not include 1" for legs

Specifications Refrigerated Countertop Rail

Construction

Heavy duty stainless steel exterior front, sides and back. Interior completely constructed of heavy duty stainless steel with coved cornered floor. Unit comes complete with a 2" CFC-Free polyurethane insulation, foamed in place.

Refrigeration System

Self-contained capillary tube system using environmentally friendly (CFC Free) refrigerant. (R-134a) Bottom mount condensing unit and static cold wall coils are located on the bottom.

Refrigerator is designed to maintain temperatures between 33° F to 41° F during normal operations at an ambient temperature of 85° F.

Energy savings digital controllers and thermostats. Automatic defrost, time initiated.

Pans

(4) clear poly carbonate 1/6 size pans, 4" deep, with lid for serving utensil.

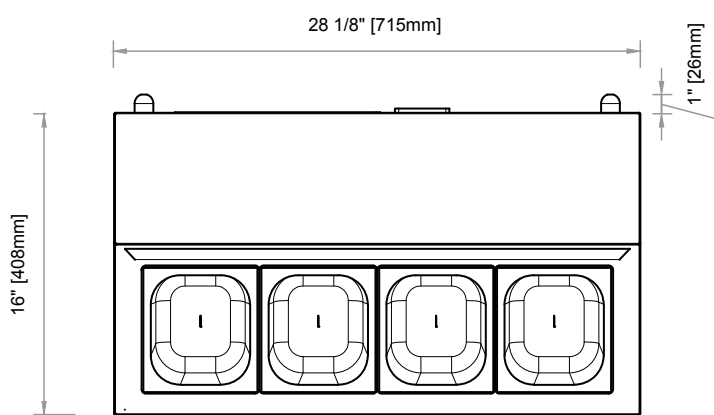
Others

Unit is supplied standard with a 8' cord and plug (Nema 5-15p). Standard with non adjustable feet.

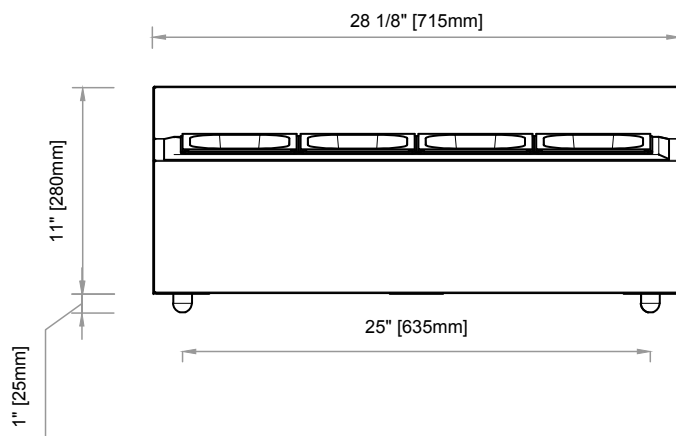
Warranty

1 year labor and parts warranty. 5 year compressor warranty (Continental U.S.A. & Canada only).

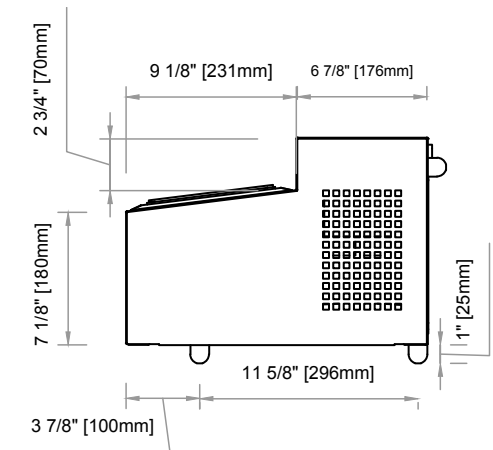
Top View



Front View



Side View



The manufacturer reserves the rights to modify materials and specifications without notice.

Printed in the USA • 10/13