

Kegezers

FDD(BB)-24 Series

- FDD-24
- FBB-24
- FBB-24G
- FDD-24S
- FBB-24S
- FBB-24SG



Standard Features

- Our single door units are designed with durability and strength to handle the abuse of a portable unit.
- Refrigeration system is a free flowing air system throughout the box to ensure "ICE COLD" products at all times.
- Heavy duty 18 gauge stainless steel top, durable stainless steel covered corner floor, brushed aluminum glass rail and reinforced bottom door frame to protect your long term investment.
- Incandescent interior light underneath the mullion to protect itself from normal operations (FBB models only).
- NSF approved for bottle and pre-packed goods.
- FDD - 24(S) single keg units are rear breathing with internal drain.
- FBB - 24(S)(G) single door units are rear breathing with epoxy coated shelves.

Item # _____



FDD - 24



FBB - 24SG

Options & Accessories

- Additional shevles
- 220 volts/50 cycles/1 phase



* Conforms to UL & NSF-7 standards

ISO -9001

Kegezers	Model	Door	Towers	Taps	Kegs	HP	Amps	Cabinet Dimensions			Shipping	
								L	D	H	(Wt. Cubes)	
	FDD-24(S)	1	1	1	1	1/6	2.5	23-3/4" (603.3 mm)	27-1/2" (700 mm)	40-1/8" (1018 mm)	165 (75 Kg)	23 (.65 m³)
	Model	Door	Towers	12 oz Cans	Kegs	HP	Amps	Cabinet Dimensions			Shipping	
	FBB-24(S)(G)	1	N/A	415	1	1/6	2.5	23-3/4" (603.3 mm)	27-1/2" (700 mm)	40-1/8" (1018 mm)	165 (75 Kg)	23 (.65 m³)

**All specifications are subject to change without notice

Specifications Kegeerators

Construction

Heavy duty stainless steel top, 18 gauge. Black vinyl front, sides and back. (S) models have stainless steel front, sides and back. Interior constructed of heavy duty galvanized steel walls with coved corner NSF approved stainless steel floor.

Door is comprised of heavy duty black vinyl steel. (S) Models are stainless steel. (G) Models are a dual pane glass with black frame, (SG) models are a dual pane glass with aluminum frame. Provided with door locks, magnetic door gaskets, removable without tools. Door openings have a plastic breaker strips to retard condensate formation. Unit comes complete with a 1-1/2" CFC-Free polyurethane insulation, foamed in place.

Refrigeration system

Self-contained capillary tube system using environmentally friendly (CFC Free) R-134a refrigerant. Rear breathing compressor. Evaporator coil is mounted to interior top of the unit. Large fan motor and fan blades for greater air flow.

Automatic condensate evaporator, no drain connection required. Evaporator condensate has been plumbed to a condensate pan located in the compressor housing. Access for the condensing unit behind the back grill, slides out for easy cleaning and maintenance.

Cabinets are designed to maintain temperatures between 33° F to 38° F in the interior cabinet.

Lights

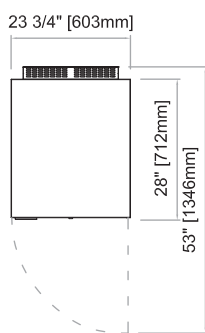
Interior fluorescent light underneath the mullion (FBB models only).

Others

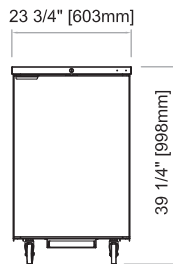
Unit is supplied standard with an 8' cord and plug (Nema 5-15p).

Warranty

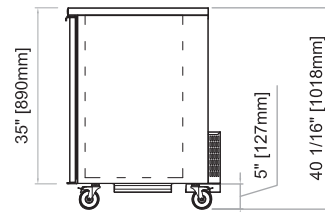
(24) month labor and parts warranty. 5 year compressor warranty (Continental U.S.A. & Canada only).



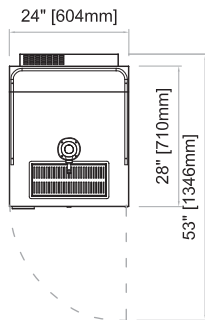
FBB-24
Top View



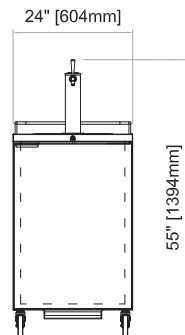
FBB-24
Front View



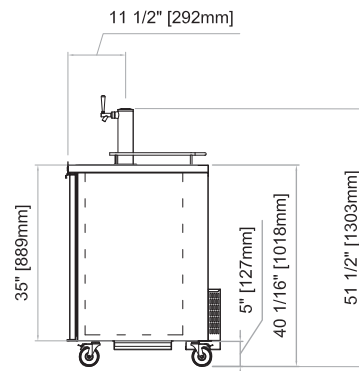
FBB-24
Common View
End View



FDD-24
Top View



FDD-24
Front View



FDD-24
Common View
End View

The manufacturer reserves the rights to modify materials and specifications without notice.

Printed in the USA • 09/12