



a Standex company

Item \_\_\_\_\_

**COUNTER TOP SIGNATURE SERIES  
REFRIG. SELF-SERVE REAR MOUNT  
MODEL CRR3628SS / CRR4828SS  
REFRIG. SELF-SERVE BOTTOM MOUNT  
MODEL CRB3628SS / CRB4828SS**



*The Signature Series counter top self-serve merchandiser combines attractive curved glass styling and merchandising flexibility. Designed for continuous case line-ups. Cases are available in lengths of 3' and 4'.*

**STANDARD FEATURES**

- Curved glass styling.
- Adjustable black metal shelf. Adjustable up and down and can also be tilted in two positions.
- Tempered front glass with self-serve cut out for customer access. Acrylic end panels.
- Shielded top light and shelf light.
- Removable sliding rear doors, shelf light, shelf supports, and shelf.
- Thermometer.
- Removable, scratch-resistant, rustproof black display deck.
- Easily accessible light switch and adjustable temperature control.
- Average case temperature of 38° F to 40° F is maintained.
- Black painted metal and stainless construction. Black trim.
- Designed for continuous line-ups.
- 134A Refrigerant.
- Cord and plug (six foot).
- Installation Flexibility
  - Set directly on counter with condensing component mounted on rear.
  - Recessed 3" in the counter with condensing component mounted underneath.
- UL Safety and UL Sanitation Listed.

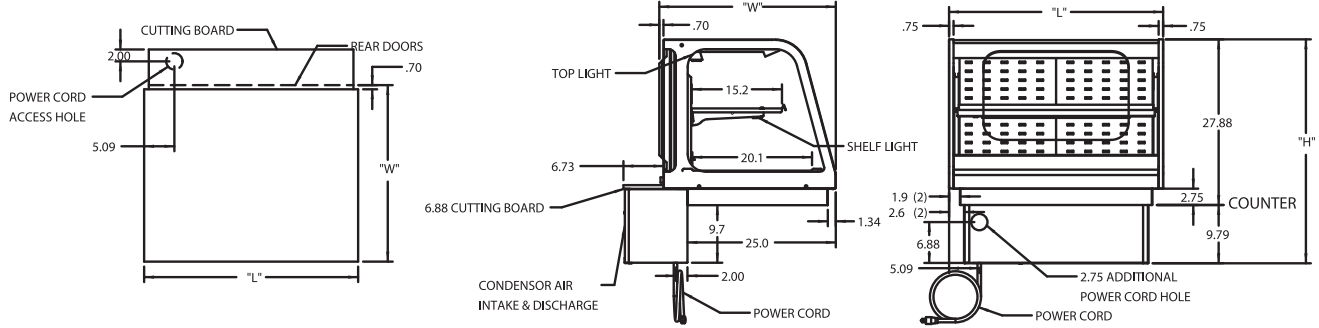
# SIGNATURE SERIES

## REFRIGERATED SELF-SERVE COUNTER TOP MERCHANDISER

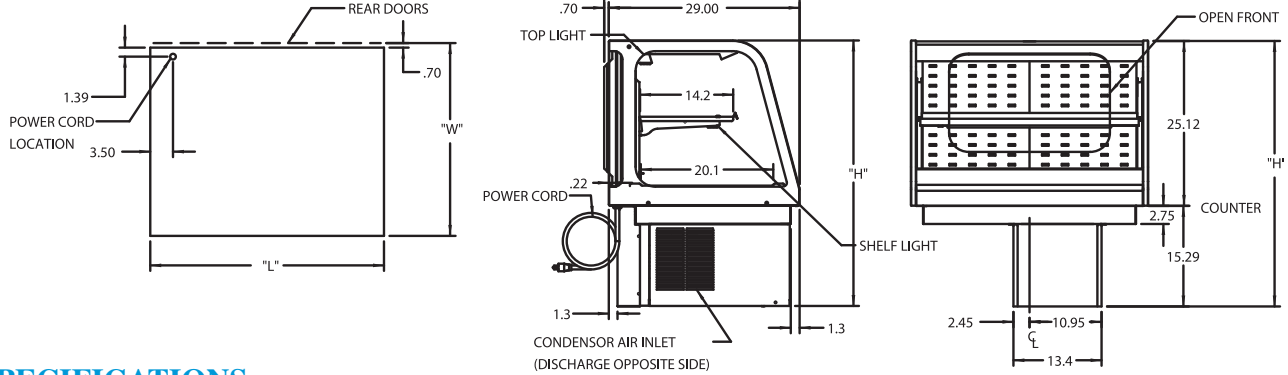
### OPTIONAL ACCESSORIES:

- \* Glass Shelf
- \* Reflective Ends
- \* Reflective Rear Doors
- \* Remote Condensing Unit

REAR MOUNT



BOTTOM MOUNT



### SPECIFICATIONS:

Model	Dimensions*			Shipping Weight (lbs)	Self-Contained 120/60/1	Remote 120/60/1Rear Mount
	L	W	H			
<b>Rear Mount</b>						
CRR3628SS	36.0"	29.7"	37.7"	430	8.1 AMPS	1.5 AMPS
CRR4828SS	48.0"	29.7"	37.7"	508	8.3 AMPS	1.5 AMPS
<b>Bottom Mount</b>						
CRB3628SS	36.0"	29.7"	40.5"	430	8.1 AMPS	3.6 AMPS
CRB4828SS	48.0"	29.7"	40.5"	508	8.3 AMPS	3.8 AMPS

\* Height above counter.

- Refrigerated cases are designed to operate in an environment of 75° ambient and 55% relative humidity.
- Due to continuing engineering improvements, specifications are subject to change without notice.



### Look to Federal for Innovative Merchandising



**a Standex company**

**Federal Industries**  
**A Standex Company**  
**215 Federal Avenue**  
**Belleville WI 53508-0290**  
**Phone: 800-356-4206**  
**Fax: 608-424-3234**  
**Email: [geninfo@federalind.com](mailto:geninfo@federalind.com)**  
**Web Site: [www.federalind.com](http://www.federalind.com)**