

Item \_\_\_\_\_

**CURVED GLASS  
REFRIGERATED DELI CASE  
MODEL ECGR-50CD  
ECGR-59CD  
ECGR-77CD**

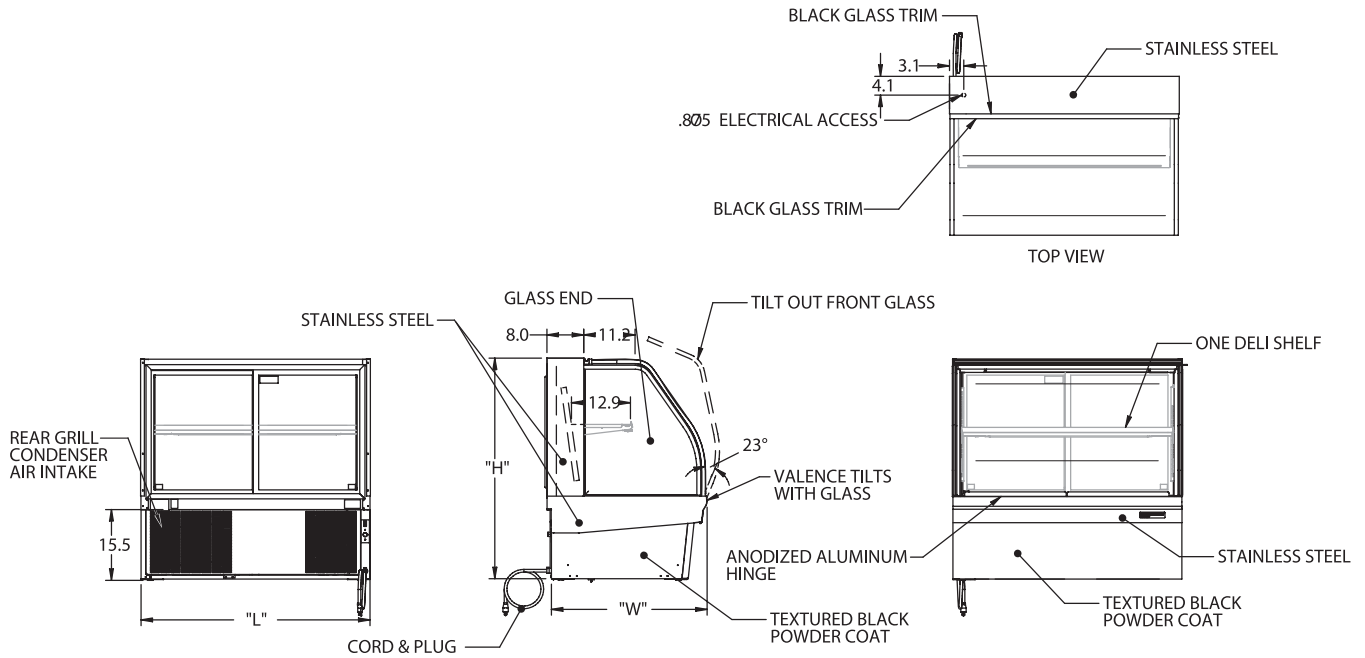


*Curved-glass styling with presentation and value in mind without sacrificing performance.  
Cases are available in lengths of 50", 59", and 77".*

**STANDARD FEATURES**

- Curved glass.
- Adjustable full-length stainless steel lighted mezzanine shelf, can also be tilted.
- Tempered thermopane tilt-out front glass.
- Tempered thermopane glass ends and doors.
- Removable sliding rear doors, shelf light, shelf supports, and shelf.
- Top light and shelf light.
- Steel base construction, textured black powder coat finish.
- Stainless steel top and sides.
- Thermometer.
- Removable stainless steel display deck.
- Condensate evaporator.
- Light switch and adjustable temperature control.
- UL Safety and UL Sanitation Listed.
- Average case temperature of 36° to 38° F.
- Rear access to refrigeration system.
- 134A Refrigerant.
- Cord and plug.

# ELEMENTS™ CURVED GLASS REFRIGERATED DELI CASE



## SPECIFICATIONS:

Model	Dimensions L W H	Shipping Weight (lbs)	Self-Contained 120/60/1	Remote 120/60/1
ECGR-50CD	50.13" x 35.31" x 48"	620	1/2 HP - 10.5 AMPS	2.3 AMPS
ECGR-59CD	59.13" x 35.31" x 48"	650	1/2 HP - 11.6 AMPS	2.5 AMPS
ECGR-77CD	77.13" x 35.31" x 48"	870	3/4 HP - 14.2 AMPS	3.3 AMPS

- Refrigerated cases are designed to operate in a maximum environment of 75°F ambient and 55% relative humidity.
- Due to continuing engineering improvements, specifications are subject to change without notice.



## Look to Federal for Innovative Merchandising



**Federal Industries**  
**A Standex Company**  
**215 Federal Avenue**  
**Belleville WI 53508-9201**  
**Phone: 800-356-4206**  
**Fax: 608-424-3234**  
**Email: [geninfo@federalind.com](mailto:geninfo@federalind.com)**  
**Web Site: [www.federalind.com](http://www.federalind.com)**