



a Standex company

Item _____

**CURVED GLASS
REFRIGERATED MAXI DELI CASE
MODEL MCG-454-DC
MCG-654-DC
MCG-854-DC
MCG-1054-DC**



The Maxi Deli delivers full-size capacity with sleek curved-glass styling to maximize performance. Cases are available in lengths of 4', 6', 8' and 10'. Designed for continuous case line-ups.

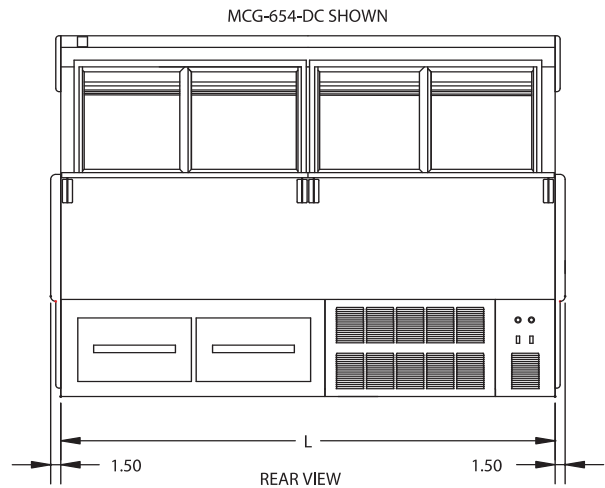
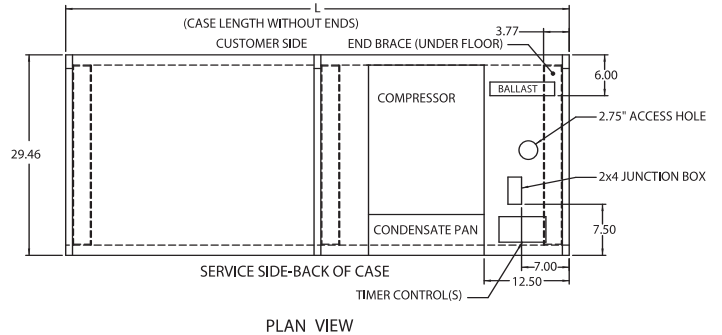
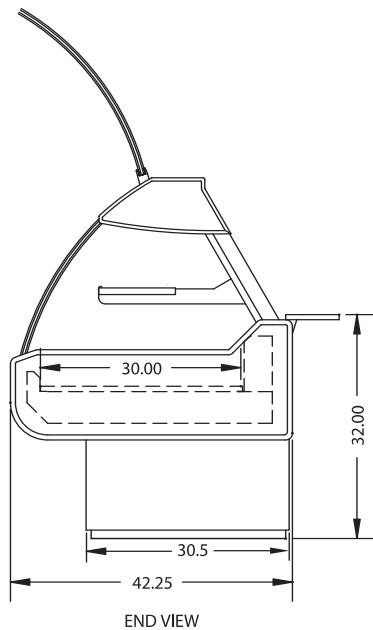
STANDARD FEATURES

- Lift-up, pneumatic, cylinder-assisted, tempered thermopane curved front glass.
- Tempered end glass and rear doors.
- Stainless steel deck.
- Fold-down rear wrapping board.
- Coated evaporator coil(s).
- Adjustable temperature control.
- Adjustable lighted mezzanine shelf.
- Thermometer.
- Accepts full-size deli risers and meat trays.
- Self-contained with condensate evaporator pan/ Remote refrigeration available.
- Double-duty, refrigerated pull-out storage drawers. 4' has one drawer, 6' and 8' have two drawers, 10' has three drawers.
- Stainless steel exterior finish/Laminated finishes available.
- Gravity coil.
- UL Safety and UL Sanitation Listed.
- Decorative end panels and front bumper rail available in white, black, gray and green.
- Designed for continuous case line-ups.
- Appliance receptacle provided on back.

CURVED GLASS REFRIGERATED MAXI DELI CASE

OPTIONAL ACCESSORIES:

- * Special Color Laminated Base
- * Additional Lighted Mezzanine Shelf
- * Paper Roll Cutter/Holder
- * Reflective Ends
- * Reflective Doors
- * Remote Refrigeration
- * Scale Stand
- * Slicer Stand
- * Deli Step Pan Holder or Risers
- * Promolux Lighting



SPECIFICATIONS:

Model	Dimensions L W H	Shipping Weight (lbs)	Capacity (Step Pans)	*Power 115/60/1	*Remote 115/60/1
MCG-454-DC	50" x 42 1/4" x 54"	730	4	3/4 HP - 15.4 AMPS	10.4 AMPS
MCG-654-DC	74" x 42 1/4" x 54"	930	6	3/4 HP - 15.6 AMPS	10.6 AMPS
MCG-854-DC	98" x 42 1/4" x 54"	1,230	8	3/4 HP - 15.8 AMPS	10.8 AMPS
MCG-1054-DC	122" x 42 1/4" x 54"	1,530	10	3/4 HP - 16.0 AMPS	11.0 AMPS

- Includes general purpose receptacle 115V, 3 AMP.
- Refrigerated cases are designed to operate in a maximum environment of 75° ambient and 55% relative humidity.
- Due to continuing engineering improvements, specifications are subject to change without notice.



Look to Federal for Innovative Merchandising



Federal Industries
A Standex Company
215 Federal Avenue
Belleville WI 53508-0290
Phone: 800-356-4206
Fax: 608-424-3234
Email: geninfo@federalind.com
Web Site: www.federalind.com