



a Standex company

Item _____

**HIGH VOLUME
SEAFOOD & FISH MAXI CASE
MODEL MSG-454-DF
MSG-654-DF
MSG-854-DF
MSG-1054-DF**



*The Seafood & Fish Maxi Case delivers full size capacity with presentation and value in mind.
Cases available in lengths of 4', 6', 8' and 10'. Designed for continuous line-ups.*

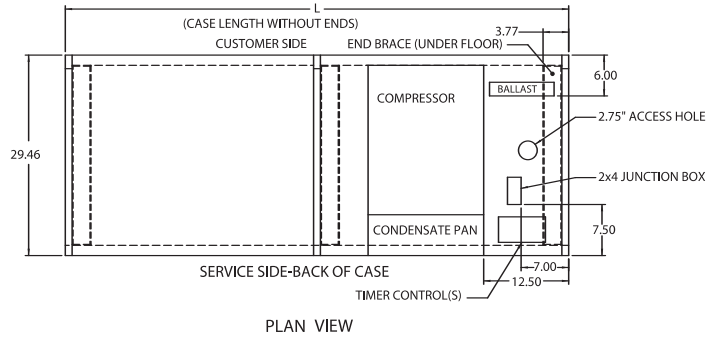
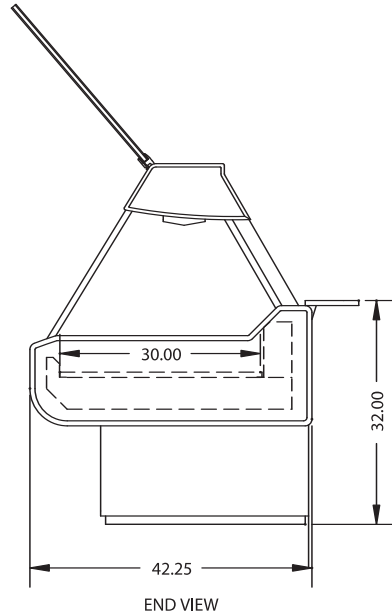
STANDARD FEATURES

- Lift-up, pneumatic, cylinder-assisted, tempered thermopane straight front glass.
- Tempered end glass and rear doors.
- Stainless steel ice pan w/drain.
- Fold-down rear wrapping board.
- Coated evaporator coil.
- Adjustable temperature control.
- Thermometer.
- Self-contained with condensate evaporator pan/ Remote refrigeration available.
- Stainless steel exterior finish/Laminated finishes available.
- Gravity coil.
- UL Safety and UL Sanitation Listed.
- Decorative end panels and front bumper rail available in white, black, gray and green.
- Designed for continuous case line-ups.
- Appliance receptacle provided on back.

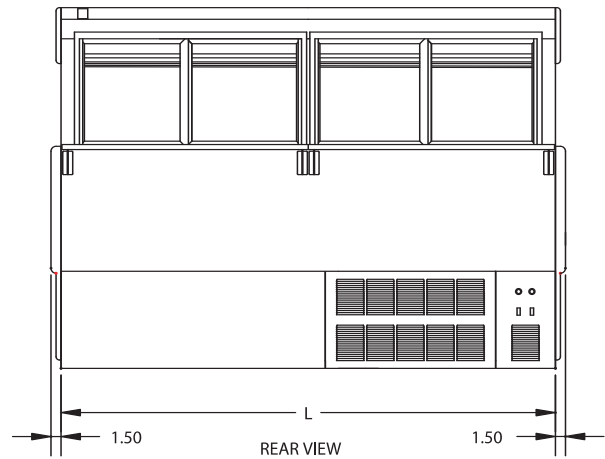
HIGH VOLUME SEAFOOD & FISH MAXI CASE

OPTIONAL ACCESSORIES:

- * Special Color Laminated Base
- * Paper Roll Cutter/Holder
- * Reflective Ends
- * Reflective Doors
- * Remote Refrigeration
- * Scale Stand
- * Promolux Lighting



MSG-654-DF SHOWN



SPECIFICATIONS:

Model	Dimensions L W H	Shipping Weight (lbs)	*Self-Contained 120/60/1	*Remote 120/60/1
MSG-454-DF	50" x 42 1/4" x 54"	730	1/2 HP - 13.4 AMPS	10.4 AMPS
MSG-654-DF	74" x 42 1/4" x 54"	930	1/2 HP - 13.6 AMPS	10.6 AMPS
MSG-854-DF	98" x 42 1/4" x 54"	1,230	1/2 HP - 13.8 AMPS	10.8 AMPS
MSG-1054-DF	122" x 42 1/4" x 54"	1,530	1/2 HP - 14.0 AMPS	11.0 AMPS

- Includes general purpose receptacle 120V, 3 AMP.
- Refrigerated cases are designed to operate in a maximum environment of 75° ambient and 55% relative humidity.
- Due to continuing engineering improvements, specifications are subject to change without notice.



Look to Federal for Innovative Merchandising



a Standex company

Federal Industries
A Standex Company
215 Federal Avenue
Belleville WI 53508-0290
Phone: 800-356-4206
Fax: 608-424-3234
Email: geninfo@federalind.com
Web Site: www.federalind.com