



**a Standex company**

Item \_\_\_\_\_

**HIGH VOLUME  
RED MEAT & DELI MAXI CASE  
MODEL MSG-454-DM  
MSG-654-DM  
MSG-854-DM  
MSG-1054-DM**



*The Red Meat Maxi Case delivers full size capacity with presentation and value in mind. Cases available in lengths of 4', 6', 8' and 10'. Designed for continuous line-ups.*

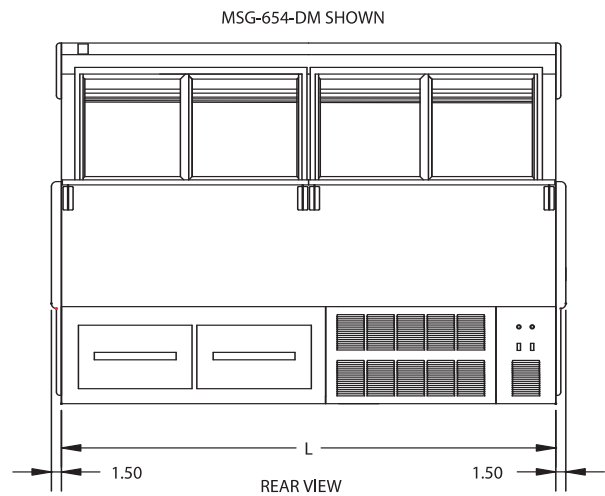
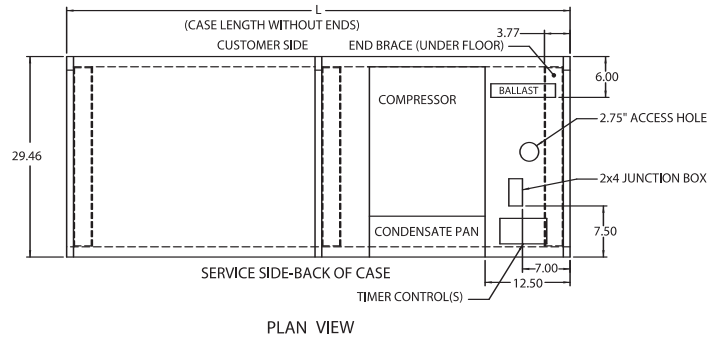
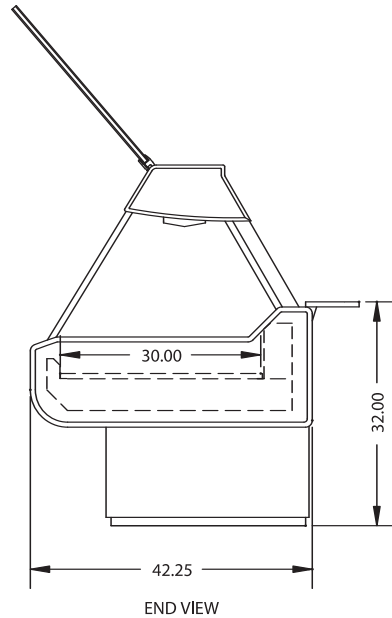
**STANDARD FEATURES**

- Lift-up, pneumatic, cylinder-assisted, tempered thermopane straight front glass.
- Tempered end glass and rear doors.
- Stainless steel deck.
- Fold-down rear wrapping board.
- Coated evaporator coil(s).
- Adjustable temperature control.
- Accepts full-size deli risers and meat trays.
- Thermometer.
- Self-contained with condensate evaporator pan/ Remote refrigeration available.
- Double-duty bottom refrigerated pull-out storage drawers. 4' has one drawer, 6' and 8' have two drawers, 10' has three drawers.
- Stainless steel exterior finish/Laminated finishes available.
- Gravity coil.
- UL Safety and UL Sanitation Listed.
- Decorative end panels and front bumper rail available in white, black, gray and green.
- Designed for continuous case line-ups.
- Appliance receptacle provided on back.

# HIGH VOLUME RED MEAT & DELI MAXI CASE

## OPTIONAL ACCESSORIES:

- \* Special Color Laminated Base
- \* Lighted Mezzanine Shelf
- \* Paper Roll Cutter/Holder
- \* Reflective Ends
- \* Reflective Doors
- \* Remote Refrigeration
- \* Scale Stand
- \* Slicer Stand
- \* Deli Step Pan Holder or Risers
- \* Promolux Lighting



## SPECIFICATIONS:

Model	Dimensions L W H	Shipping Weight (lbs)	*Self-Contained 120/60/1	*Remote 120/60/1
MSG-454-DM	50" x 42 1/4" x 54"	730	3/4 HP - 15.4 AMPS	10.4 AMPS
MSG-654-DM	74" x 42 1/4" x 54"	930	3/4 HP - 15.6 AMPS	10.6 AMPS
MSG-854-DM	98" x 42 1/4" x 54"	1,210	3/4 HP - 15.8 AMPS	10.8 AMPS
MSG-1054-DM	122" x 42 1/4" x 54"	1,530	3/4 HP - 16.0 AMPS	11.0 AMPS

- Includes general purpose receptacle 115V, 3 AMP.
- Refrigerated cases are designed to operate in a maximum environment of 75° ambient and 55% relative humidity.
- Due to continuing engineering improvements, specifications are subject to change without notice.



## Look to Federal for Innovative Merchandising



**Federal Industries**  
**A Standex Company**  
**215 Federal Avenue**  
**Belleville WI 53508-0290**  
**Phone: 800-356-4206**  
**Fax: 608-424-3234**  
**Email: [geninfo@federalind.com](mailto:geninfo@federalind.com)**  
**Web Site: [www.federalind.com](http://www.federalind.com)**