



||| a Standex company

Item _____

HIGH VOLUME DUAL ZONE CASE MODEL SGR5042DZ

SGR5048DZ

SGR5942DZ

SGR5948DZ

SGR7742DZ

SGR7748DZ



*Display more product and serve more customers with presentation and value in mind.
Cases are available in lengths of 50", 59", and 77". Designed for continuous case line-ups.*

STANDARD FEATURES

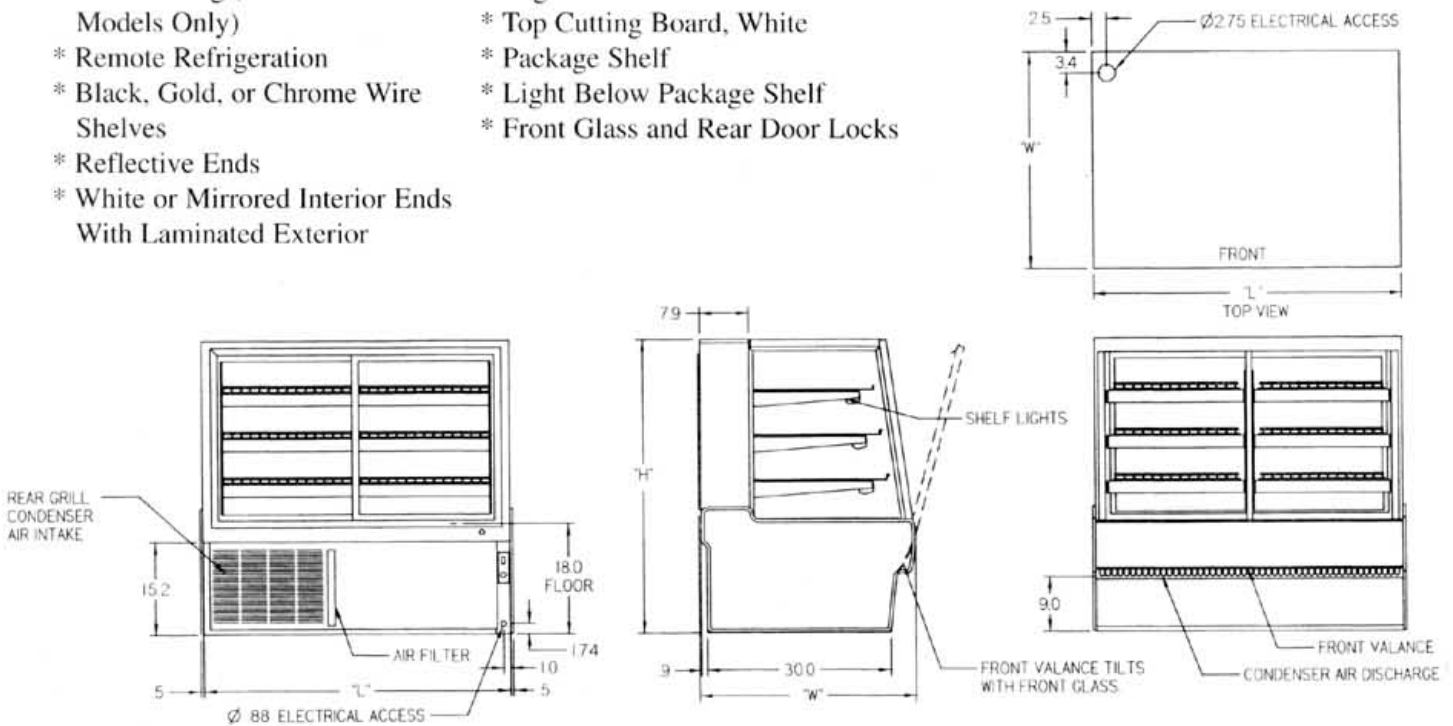
- Single base design.
- Left side refrigerated, right side non-refrigerated from customer view.
- Adjustable white wire shelves. Shelves are adjustable up and down and can also be tilted in three positions. 48" models have three tiers of shelves; 42" models have two tiers of shelves.
- Shielded top light and shelf lights.
- Tempered thermopane tilt-out front glass for easy cleaning. Front glass is sloped for high visual product display.
- Tempered thermopane glass top, ends, and doors.
- Removable sliding rear doors, shelf lights, shelf supports, and shelves.
- Steel base construction with a choice of six standard laminates on base. Other finishes optional.
- Black trim.

- White scratch-resistant display deck.
 - UL Safety and UL Sanitation Listed.
- Added Features for Refrigerated Side**
- Condenser air filter on self-contained units.
 - Thermometer.
 - Condensate evaporator provided for a totally self-contained system.
 - Oversized coil and low-velocity fan system maintains high humidity and product freshness.
 - Easy clean, rustproof insulated evaporator coil compartment.
 - Adjustable temperature control.
 - Average case temperature of 38° to 40° is maintained.
 - Rear access of the refrigeration system for quick and easy service.
 - 134A Refrigerant.

HIGH VOLUME DUAL ZONE CASE

OPTIONAL ACCESSORIES:

- * Special Base Finish
- * Glass Shelves
- * Rear Wrapping Board
- * Cord & Plug (Self-Contained Models Only)
- * Remote Refrigeration
- * Black, Gold, or Chrome Wire Shelves
- * Reflective Ends
- * White or Mirrored Interior Ends With Laminated Exterior
- * Reflective Rear Doors
- * Casters/Cord & Plug Included (Self-Contained Models Only)
- * Legs
- * Top Cutting Board, White
- * Package Shelf
- * Light Below Package Shelf
- * Front Glass and Rear Door Locks



SPECIFICATIONS:

Model	Dimensions			Shipping Weight (lbs)	Self-Contained 120/60/1	Remote 120/60/1
	L	W	H			
SGR5042DZ	50.3"	35.31"	42"	688	1/3 HP - 8.0 AMPS	2.5 AMPS
SGR5048DZ	50.3"	35.31"	48"	730	1/3 HP - 8.0 AMPS	2.5 AMPS
SGR5942DZ	59.13"	35.31"	42"	735	1/3 HP - 9.0 AMPS	3.0 AMPS
SGR5948DZ	59.13"	35.31"	48"	765	1/3 HP - 9.0 AMPS	3.0 AMPS
SGR7742DZ	77.13"	35.31"	42"	890	1/3 HP - 9.0 AMPS	3.0 AMPS
SGR7748DZ	77.13"	35.31"	48"	930	1/3 HP - 9.0 AMPS	3.0 AMPS

- Refrigerated cases are designed to operate in a maximum environment of 75° ambient and 55% relative humidity.
- Due to continuing engineering improvements, specifications are subject to change without notice.



Look to Federal for Innovative Merchandising



Federal Industries
A Standex Company
215 Federal Avenue
Belleville WI 53508-0290
Phone: 800-356-4206
Fax: 608-424-3234
Email: geninfo@federalind.com
Web Site: www.federalind.com