



**a Standex company**

Item \_\_\_\_\_

**SERIES '90  
SELF-SERVE NON-REFRIG.  
BAKERY CASE  
MODEL SN-48-SS  
SN-59-SS  
SN-77-SS**



*Series '90. The ultimate merchandiser with advanced styling for maximum visual appeal. Cases are available in lengths of 48", 59", and 77". Designed for continuous line-ups.*

#### **STANDARD FEATURES**

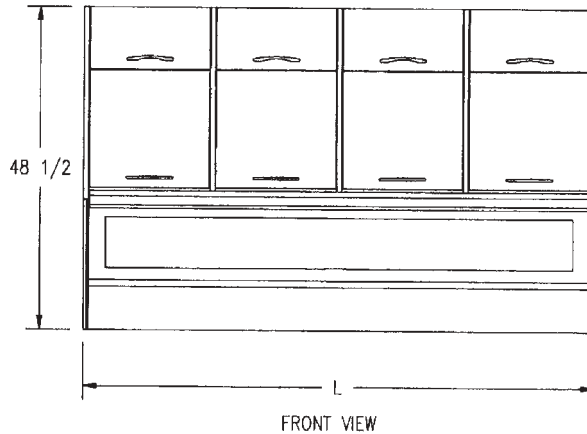
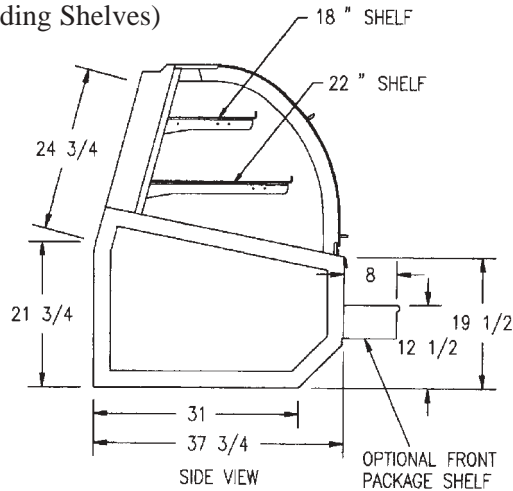
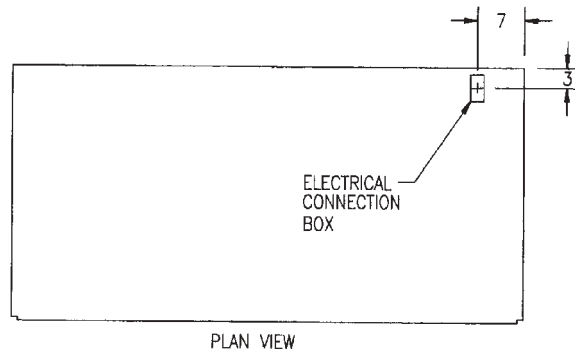
- Two tiers of adjustable white cantilevered wire shelves. Shelves are adjustable up and down and can also be tilted.
- Acrylic lift-up self-closing front doors. The 48" has two sets of doors, 59" has three sets, and the 77" has four sets of doors.
- Four point leveling system.
- Removable sliding rear doors, shelf lights, shelf supports, and shelves.
- Acrylic ends and glass rear doors. Rear doors are sloped for product access.
- Vent system to reduce heat build-up from the lights.
- Octron top light and shelf lights. Lights are shielded and independently wired.
- All-welded base construction with a choice of six standard laminates on base. Other color laminates optional.
- Easily accessible control panel with main power, auxiliary fan, and light control.
- Neutral beige acrylic PVC trim. Trim does not show scratches and is easy to clean.
- White display deck.
- UL Safety and UL Sanitation Listed.

# SERIES '90

## SELF-SERVE NON-REFRIGERATED BAKERY CASE

### OPTIONAL ACCESSORIES:

- \* Special Base Finish
- \* Package Shelf w/Bag Holder and Tissue Dispenser
- \* Light Below Package Shelf
- \* Glass Shelves
- \* Mirrored Ends
- \* Reflective Rear Doors
- \* Special Trim
- \* Black Interior (Including Shelves)
- \* Cord and Plug (NEMA 5-15)
- \* Rear Wrapping Board
- \* Casters (Cord and Plug Included)
- \* Black or Gold Wire Shelves
- \* Legs



### SPECIFICATIONS:

Model	Dimensions			Shipping Weight (lbs)	Capacity (Bakery Pans)	Power 120/60/1
	L	W	H			
SN-48-SS	48 1/4"	37 3/4"	48 1/2"	750	2 (18" x 26") 8 (12" x 18") 1 (9" x 26")	2 AMPS
SN-59-SS	59 1/4"	37 3/4"	48 1/2"	775	7 (18" x 26")	2 AMPS
SN-77-SS	77 1/4"	37 3/4"	48 1/2"	1,050	4 (18" x 26") 12 (12" x 18")	2 AMPS



- Due to continuing engineering improvements, specifications are subject to change without notice.

### Look to Federal for Innovative Merchandising



**a Standex company**

**Federal Industries**  
**A Standex Company**  
**215 Federal Avenue**  
**Belleville WI 53508-0290**  
**Phone: 800-356-4206**  
**Fax: 608-424-3234**  
**Email: [geninfo@federalind.com](mailto:geninfo@federalind.com)**  
**Web Site: [www.federalind.com](http://www.federalind.com)**