



a Standex company

ITEM: _____ PROJECT NAME: _____ DATE: _____

VERSATILE SERVICE TOP OVER REFRIGERATED SELF-SERVE DELI

- MODEL** **SSRVS-3642**
 SSRVS-5042
 SSRVS-5942
 SSRVS-7742



Designed for those customers looking for up-market styling for maximum visual appeal that will drive product sales. Cases are available in lengths of 36", 50", 59", and 77".

STANDARD FEATURES

- Steel base construction with black laminated exterior. Other finishes optional.
- Black interior, glass panels.
- Stainless steel top service area with extension.
- Horizontal shielded top LED light and undershelf lights.
- Thermometer.
- On-demand PTC condensate evaporator provided for a totally self-contained system.
- Easy clean, rustproof insulated evaporator coil compartment.
- Easily accessible light and power switch.
- Appliance receptacle on back.
- Electronic temperature control maintains 38° to 40°F with on-demand defrost.
- Two tiers adjustable metal shelves.
- Rear access to the refrigeration system for quick and easy service.
- R404 Refrigerant.
- Adjustable leg levelers.
- UL Safety and UL Sanitation Listed.
- DOE 2012 Compliant.

VERSATILE SERVICE TOP OVER REFRIGERATED SELF-SERVE DELI

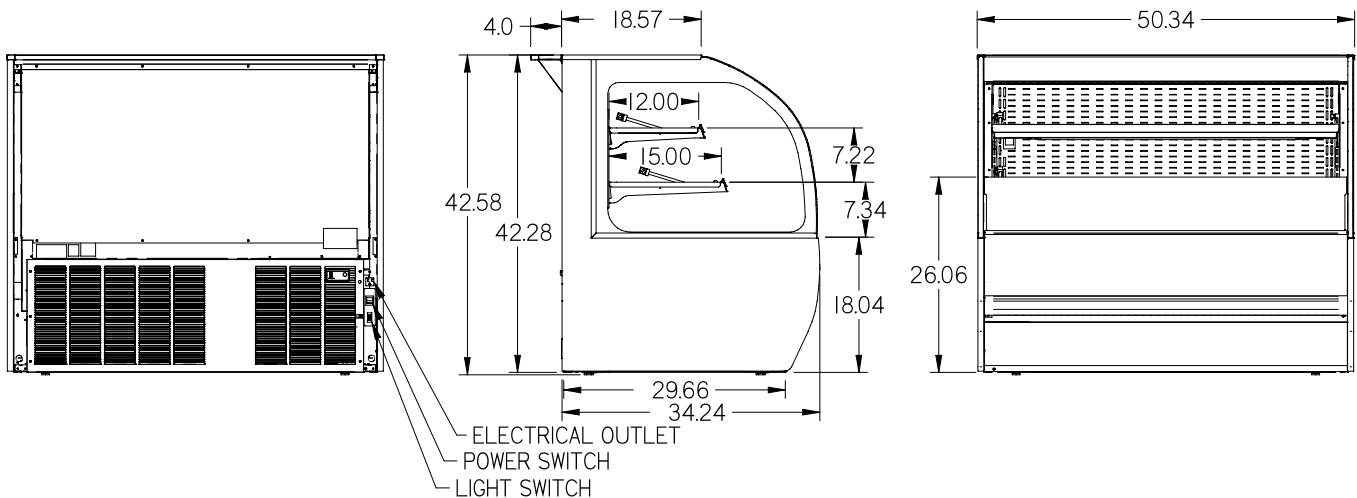
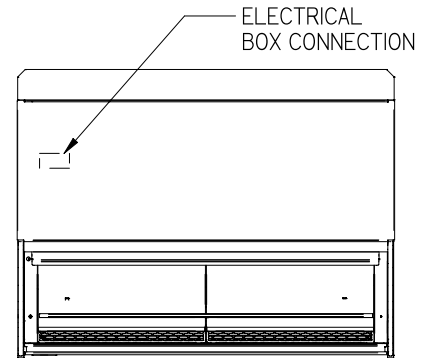
OPTIONAL ACCESSORIES:

For Self-Serve Refrigerated Base

- Special Exterior Finish
- Glass Shelves
- White or Stainless Interior (Including Shelves)
- Energy Saving Night Curtain
- Reflective End Glass
- Security Night Cover
- Solid Rear Sliding Access Doors
- Remote Refrigeration
- Condensate Pump
- Recessed Casters
- Front Non-Refrigerated Display Merchandiser
- Cord & Plug (NEMA 5-15P/59" & 77" 5-20P)
- Legs

For Service Top Display

- Sneeze Guard with Top Service Shelf
- Sneeze Guard with Two Bakery Shelves
- Warming Shelf
- Sushi Case



SPECIFICATIONS:

Model	Dimensions L W H	Shipping Weight (lbs)	*Self-Contained with Condensate Pan	*Remote 120/60/1 with Condensate Pan
<input type="checkbox"/> SSRVS-3642	36" x 34" x 42"	590	120/60/1 • 1/3 HP • 15 AMPS	9 AMPS
<input type="checkbox"/> SSRVS-5042	50" x 34" x 42"	720	230/60/1 • 1/2 HP • 10 AMPS	10 AMPS
<input type="checkbox"/> SSRVS-5942	59" x 34" x 42"	845	230/60/1 • 1/2 HP • 15 AMPS	13 AMPS
<input type="checkbox"/> SSRVS-7742	77" x 34" x 42"	1,010	230/60/1 • 3/4 HP • 15 AMPS	14 AMPS

*Plus general receptacle 120V, 15 AMP. (2nd circuit required)

- Refrigerated cases are designed to operate in a maximum environment of 75°F ambient and 55% relative humidity.
- Due to continuing engineering improvements, specifications are subject to change without notice.



The Signature of Quality

FEDERAL INDUSTRIES
A Standex Company

215 FEDERAL AVENUE, BELLEVILLE, WISCONSIN 53508-9201

PHONE: 800-356-4206

EMAIL: geninfo@federalind.com

FAX: 608-424-3234

WEBSITE: www.federalind.com

