



a Standex company

ITEM: \_\_\_\_\_ PROJECT NAME: \_\_\_\_\_ DATE: \_\_\_\_\_

## VERSATILE SERVICE TOP OVER REFRIGERATED SELF-SERVE COUNTER CASE

**MODEL**  SSRVS-3633

SSRVS-5033

SSRVS-5933

SSRVS-7733



\*Show with optional solid ends

*Designed for those customers looking for up-market styling for maximum visual appeal that will drive product sales. Cases are available in lengths of 36", 50", 59", and 77".*

*Height 33" for service counter installation.*

### STANDARD FEATURES

- Steel base construction with black laminated exterior. Other finishes optional.
- Black interior, glass panels.
- Stainless steel top service area.
- Horizontal shielded top LED light and undershelf light.
- Thermometer.
- On-demand PTC condensate evaporator provided for a totally self-contained system.
- Easy clean, rustproof insulated evaporator coil compartment.
- Front condensing unit air intake & discharge.
- Easily accessible light and power switch.
- Electronic temperature control maintains 38° to 40°.
- One adjustable metal shelf.
- Rear access to the refrigeration system for quick and easy service.
- R404 Refrigerant.
- Adjustable leg levelers.
- UL Safety and UL Sanitation Listed.
- DOE 2012 Compliant.

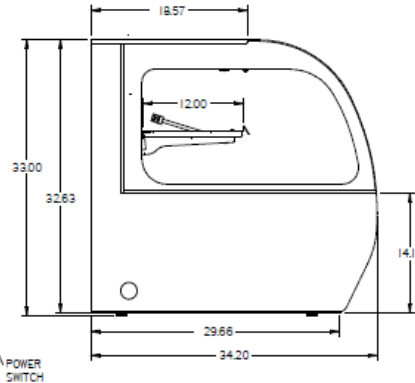
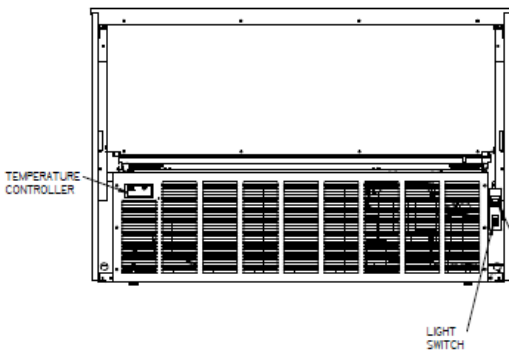
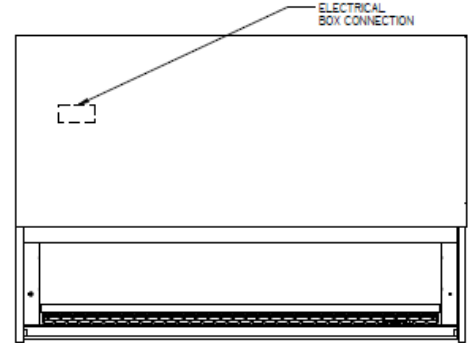
# VERSATILE SERVICE TOP OVER REFRIGERATED SELF-SERVE COUNTER CASE

## OPTIONAL ACCESSORIES:

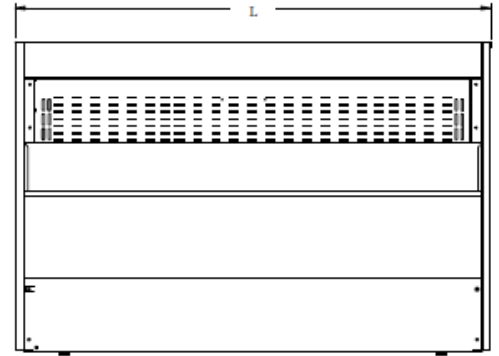
### For Self-Serve Refrigerated Base

- Special Exterior Finish
- Glass Shelf
- White or Stainless Interior (Including Shelves)
- Energy Saving Night Curtain
- Reflective End Glass
- Security Night Cover
- Rear Condensing Unit Air Intake & Discharge.
- Remote Refrigeration
- Condensate Pump
- Recessed Casters
- Front Non-Refrigerated Display Merchandiser
- Solid End Panels with Mirrored Interior
- Cord & Plug (3633 & 5033 = NEMA 5-20P, 5933 & 7733 = NEMA 6-20P)
- Legs

Top View



Side View



Front View

## SPECIFICATIONS:

Model	Dimensions L W H	Shipping Weight (lbs)	* Self-Contained with Condensate Pan	* Remote 120/60/1 with Condensate Pan
<input type="checkbox"/> SSRVS-3633	36" x 34" x 33"	450	120/60/1 • 1/3 HP • 14.3 AMPS	8.5 AMPS
<input type="checkbox"/> SSRVS-5033	50" x 34" x 33"	620	120/60/1 • 1/3 HP • 14.3 AMPS	8.5 AMPS
<input type="checkbox"/> SSRVS-5933	59" x 34" x 33"	750	208-230/60/1 • 3/4 HP • 14.5 AMPS	13 AMPS
<input type="checkbox"/> SSRVS-7733	77" x 34" x 33"	980	208-230/60/1 • 3/4 HP • 14.5 AMPS	13.5 AMPS

- Refrigerated cases are designed to operate in a maximum environment of 75°F ambient and 55% relative humidity.
- Due to continuing engineering improvements, specifications are subject to change without notice.



*The Signature of Quality*

**FEDERAL INDUSTRIES**  
A Standex Company

215 FEDERAL AVENUE, BELLEVILLE, WISCONSIN 53508-9201  
**PHONE: 800-356-4206**      **FAX: 608-424-3234**  
**EMAIL: geninfo@federalind.com**      **WEBSITE: www.federalind.com**

