



# 3.0 LITER | 1.0 GALLON AIRPOT COFFEE BREWING SYSTEM

## CBS-2130 TOUCHSCREEN SERIES



The 3 Liter and 1 Gallon CBS-2131 / 2132 XTS Touchscreen Series Airpot Coffee Brewers are a perfect hot beverage solution for high volume self-service environments such as convenience stores, cafeterias, specialty coffee shops or office coffee service (OCS). Now experience total control of this fully featured Extractor® Brewing System via an inviting touchscreen interface display that is intuitive, easy to read and simple to navigate.

**CBS-2132XTS**  
Set up for 3.0L Brewing\*

**CBS-2131XTS**  
Set up for 3.0L Brewing\*



**CBS-2132XTS**  
Set up for 1.0G Brewing\*

**CBS-2131XTS**  
Set up for 1.0G Brewing\*

\* Dispensers sold separately.

# Perfect taste begins with a simple touch...

## User Friendly Touchscreen

Access all controls via an inviting touchscreen interface display that blends intuitive icons with dynamic time and volume data to provide instant visual feedback at any point during programming, diagnostics or the brew cycle.



## Streamlined Programming, Diagnostics and Metrics

The Extractor® Touchscreen Operating System (ETOS) was engineered for quick and efficient navigation through set-up, programming, diagnostics and daily operational brewing modes.



## Customizable Screens

Customize the start screen to tie your equipment and product offerings into a consistent brand message. You can also create and display individual recipe names for quick and easy access to your most used coffee blends.



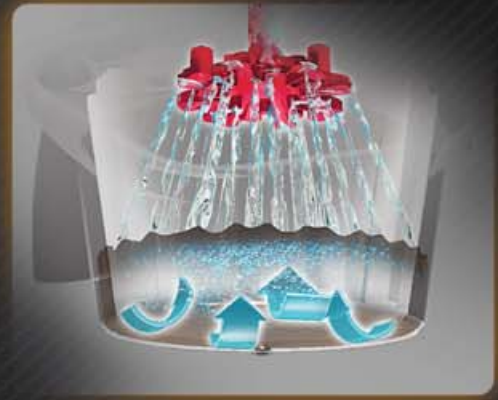
## XTS™ Series

Driven by a user friendly touchscreen interface and intuitive software, the XTS series represents the next step in the evolution of FETCO's renown EXTRACTOR brewing technology.



## Cascading Spray Dome™

Hot tank water flows over clog-free channels built into the dome and virtually eliminates spray head scale buildup – a leading reason for service calls.



## Legendary Extractor® Control

Although designed specifically for smaller batch airport dispensing, these high quality brewers possess the legendary features and reliable performance you've come to expect from Extractor® branded products.



## Efficient Design & Construction

FETCO equipment is designed and built to standards well above most others on the market today and can deliver significant energy savings when compared to similar competitor's products.



## Modern Convenience

Duplicate profiles and parameters to and from any of the batch buttons on a single machine or copy the information to an unlimited number of brewers via a removable SD card (sold separately).



## Contemporary Style

Sleek European cabinet design is attractive and fits well in any front-of-house decor found in cafes, lounges, OCS or corporate breakrooms.



## Water Specification

Water Inlet 3/8" male flare fitting	Minimum Flow Rate 1 1/2 gpm [5.7 lpm]	Water Pressure 20-75 psig [138-517 kPa]
--	--	--

## Electrical Configuration

Configuration Code	Heater Configuration	Voltage	Phase	Wires	KW	Electrical Connection	Max Amp Draw	Gallon [Liter] / Hour
E213153	1 x 1.5 kW	100-120	1	2+G	1.1-1.6	NEMA 5-15P <sup>(3)</sup>	10.9-13.0	3.9 [14.8] <sup>(1)</sup>
E213151	1 x 2.3 kW	100-120	1	2+G	1.7-2.4	NEMA 5-20P <sup>(3)</sup>	16.5-19.7	5.8 [22.0] <sup>(1)</sup>
E213157	1 x 3.0 kW	200-240	1	2+G	2.2-3.1	NEMA 6-15P <sup>(3)</sup>	10.9-13.0	9.7 [36.7] <sup>(1)</sup>
UNIVERSAL VOLTAGE OPTIONS								
E213172	1 x 1.7 kW	120	1	2+G	1.8	NEMA 5-15P <sup>(3)</sup>	14.7	4.4 [16.7] <sup>(1)</sup>
Optional <sup>(2)</sup>	2 x 1.7 kW	120/208-240	1	3+G	3.5	L1 / L2 / N+G	14.7	8.7 [33.0] <sup>(1)</sup>
E213173	1 x 2.3 kW	120	1	2+G	2.4	NEMA 5-20P <sup>(3)</sup>	19.7	5.8 [22.0] <sup>(1)</sup>
Optional <sup>(2)</sup>	2 x 2.3 kW	120/208-240	1	3+G	4.7	L1 / L2 / N+G	19.7	11.0 [41.6] <sup>(1)</sup>

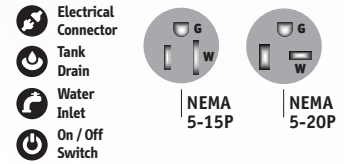
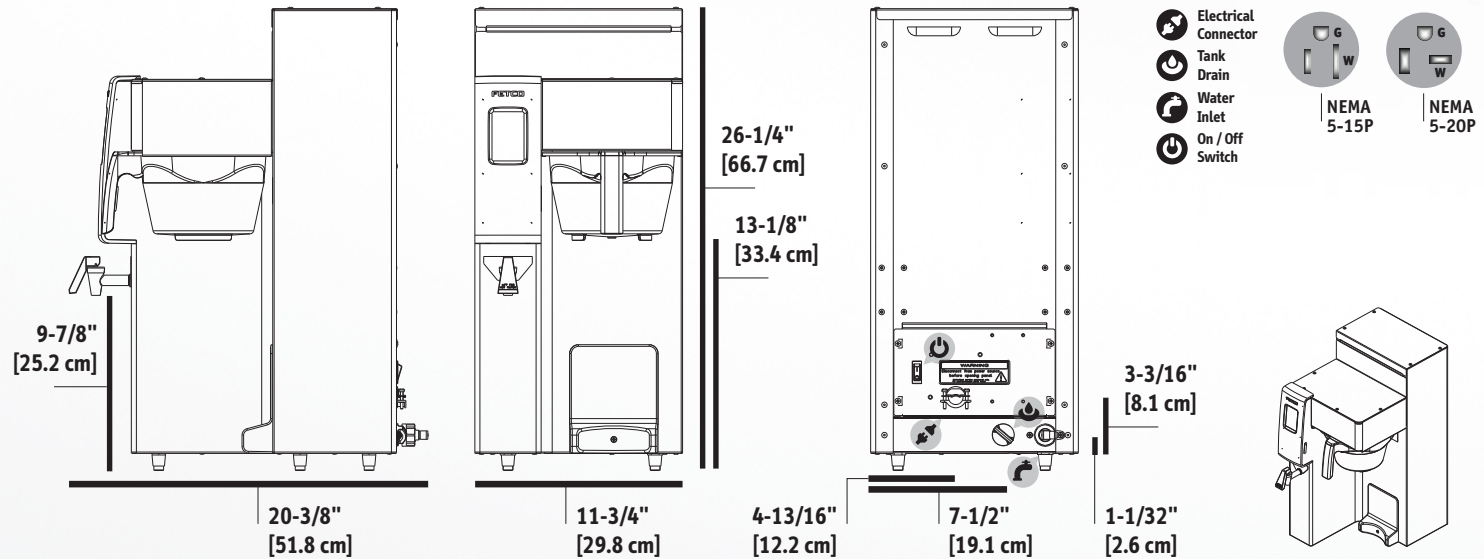
(1) Based on standard factory settings: 5.5 minute brew time; 0% prewet; 200°F water. 3 liters per batch.

(2) Sold with factory cord & plug for 120 Volt configuration. Optional user connection to a terminal block requiring L1, L2, N and ground to 120/208-240 VAC. No airpot locator for this group. User selectable for optional, dual in-series heater configuration.

(3) Sold with factory cord & plug.

## Measurements

Height 26 1/4" [66.7 cm]	Width 11 3/4" [29.8 cm]	Depth 20 3/8" [51.8 cm]	Empty Weight 29 lbs [13.2 kg]	Filled Weight 55 lbs [25.0 kg]	Combined Filled Weight 66 lbs [30.0 kg] BREWER + 1 FILLED D041 DISPENSER	Hot Water Tank Cap. 3.3 gal [12.5 l]	Shipping Weight: 41 lbs [18.6 kg]	Shipping Dimensions: 30" x 17" x 22" [76.2 x 43.2 x 55.9 cm]
--------------------------------	-------------------------------	-------------------------------	-------------------------------------	--------------------------------------	--	--	---	--



## Compatible Dispensers

#D041  
3.0L Thermal Pump  
Lever Airpot  
Product Dimensions  
(HxWxD):  
14 1/2" x 7" x 9"  
[36.8 x 17.8 x 22.9 cm]  
Weight (Empty / Filled)  
4.6 lbs [2.1 kg] /  
11.1 lbs [5.1 kg]



## Paper Filter

#F002  
13" x 5.5"  
Standard Paper  
Coffee Filter



## Brew Basket

#B003218B1  
13" x 5"  
Stainless Steel  
Brew Basket



#B014218BN2  
13" x 5"  
Plastic Brew Basket  
w/ Brown Insert



## Cups per Hour\*

8oz.  123	16oz.  62
12oz.  82	20oz.  49

\* Approximate based on maximum power setting.

## Colored Brew Basket Handle Inserts



Blue:  
1023.00180.00



Red:  
1023.00190.00



Green:  
1023.00191.00



Orange:  
1023.00192.00

## Water Specification

Water Connection Inlet 3/8" male flare fitting	Minimum Flow Rate 1 1/2 gpm [5.7 lpm]	Water Pressure 20-75 psig [138-517 kPa]	<b>Default set for 3.0 Liter output. User must configure in field for 1.0 Gallon output.</b>
---	--	--	--

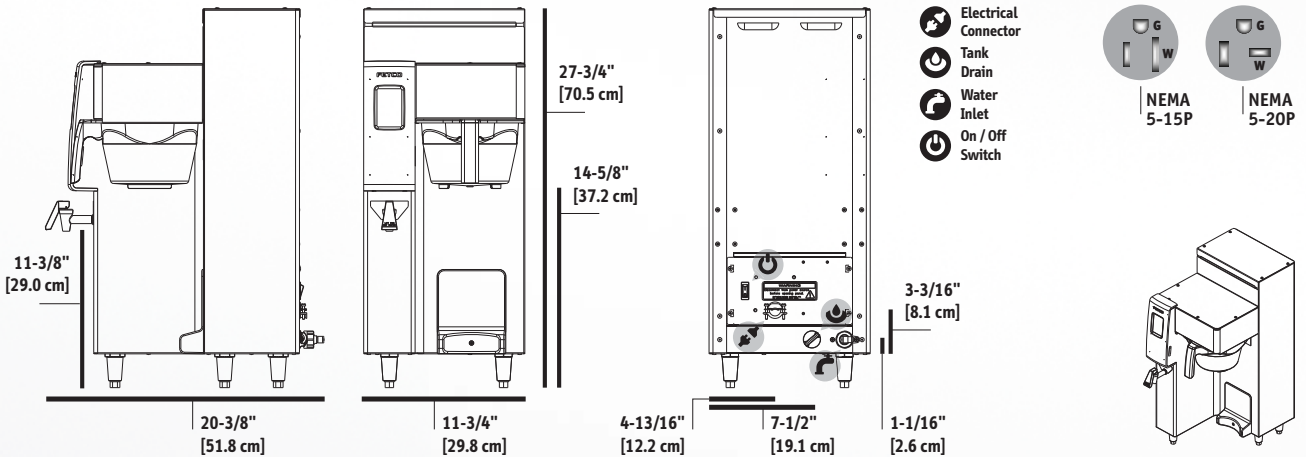
## Electrical Configuration

Configuration Code	Heater Configuration	Voltage	Phase	Wires	KW	Electrical Connection	Max Amp Draw	Gallon [Liter] / Hour
E213153	1 x 1.5 kW	100-120	1	2+G	1.1-1.6	NEMA 5-15P <sup>(3)</sup>	10.9-13.0	3.9 [14.8] <sup>(1)</sup>
E213151	1 x 2.3 kW	100-120	1	2+G	1.7-2.4	NEMA 5-20P <sup>(3)</sup>	16.5-19.7	5.8 [22.0] <sup>(1)</sup>
E213157	1 x 3.0 kW	200-240	1	2+G	2.2-3.1	NEMA 6-15P <sup>(3)</sup>	10.9-13.0	9.7 [36.7] <sup>(1)</sup>
<b>UNIVERSAL VOLTAGE OPTIONS</b>								
E213172	1 x 1.7 kW	120	1	2+G	1.8	NEMA 5-15P <sup>(3)</sup>	14.7	4.4 [16.7] <sup>(1)</sup>
Optional <sup>(2)</sup>	2 x 1.7 kW	120/208-240	1	3+G	3.5	L1 / L2 / N+G	14.7	8.7 [33.0] <sup>(1)</sup>
E213173	1 x 2.3 kW	120	1	2+G	2.4	NEMA 5-20P <sup>(3)</sup>	19.7	5.8 [22.0] <sup>(1)</sup>
Optional <sup>(2)</sup>	2 x 2.3 kW	120/208-240	1	3+G	4.7	L1 / L2 / N+G	19.7	11.0 [41.6] <sup>(1)</sup>

(1) Based on standard factory settings: 5.5 minute brew time; 0% prewet; 200°F water. 3 liters per batch.  
 (2) Sold with factory cord & plug for 120 Volt configuration. Optional user connection to a terminal block requiring L1, L2, N and ground to 120/208-240 VAC. No airpot locator for this group. User selectable for optional, dual in-series heater configuration.  
 (3) Sold with factory cord & plug.

## Measurements

Height 27 3/4" [70.5 cm]	Width 11 3/4" [29.8 cm]	Depth 20 3/8" [51.8 cm]	Empty Weight 29 lbs [13.2 kg]	Filled Weight 55 lbs [25.0 kg]	Combined Filled Weight 66 lbs [30.0 kg] BREWER + 1 FILLED D063 DISPENSER	Hot Water Tank Cap. 3.3 gal [12.5 L]	Shipping Weight: 41 lbs [18.6 kg]	Shipping Dimensions: 30" x 17" x 22" [76.2 x 43.2 x 55.9 cm]
--------------------------------	-------------------------------	-------------------------------	-------------------------------------	--------------------------------------	--	--	---	--



## Compatible Dispensers

#D063  
1.0 Gallon Thermal Pump Lever Airpot



Product Dimensions (HxWxD):  
16 1/2" x 7" x 9"  
[47.0 x 17.8 x 22.9 cm]  
Weight (Empty / Filled)  
9.0 lbs [4.1 kg] /  
13.3 lbs [6.0 kg]

#D051  
L3S-10  
1.0 Gallon LUXUS® Thermal Dispenser



Product Dimensions (HxWxD):  
13 5/16" x 8" x 10 1/4"  
[33.8 x 20.3 x 26.0 cm]  
Weight (Empty / Filled)  
5.6 lbs [2.5 kg] /  
12.4 lbs [5.6 kg]

\* Must be used with S3S Serving Stations.

## Serving Stations

#A093  
S3S-10-1  
Single Serving Station for L3S-10 Server



#A094  
S3S-10-2  
Twin Serving Station for L3S-10 Server



#A096  
S3S-10-3  
Triple Serving Station for L3S-10 Server



## Paper Filter

#F002  
13" x 5.5"  
Standard Paper Coffee Filter



## Brew Basket

#B003218B1  
13" x 5"  
Stainless Steel Brew Basket



#B014218BN2  
13" x 5"  
Plastic Brew Basket w/ Brown Insert



## Cups per Hour\*

8oz. <b>123</b>	16oz. <b>62</b>
12oz. <b>82</b>	20oz. <b>49</b>

\* Approximate based on maximum power setting.

## Colored Brew Basket Handle Inserts



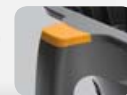
Blue:  
1023.00180.00



Red:  
1023.00190.00



Green:  
1023.00191.00



Orange:  
1023.00192.00

# Features & Benefits



Feature	Benefit
1 Touchscreen Interface	Allows for quick and easy access to brew controls.
2 Brew Basket Sensors	Automatically discontinues operation of brew cycle if basket is removed.
3 Mixed Material Construction	Mixed material is attractive and comfortable in any front-of-house setting.
4 Manual Water Faucet	Safely dispenses hot water away from steam and brew basket.
5 Stainless Steel Finish	Withstands the harshest foodservice environments and is durable and easy to clean.
6 Fixed Dispenser Guide	Helps position airpot directly under brew basket drip hole for spill free brewing.

Dispensers sold separately.