

## Water Specification

Water Connection Inlet  
1/4" Male Flare Fitting

Minimum Flow Rate  
1 1/2 gpm [5.7 lpm]

Water Pressure  
20-75 psig [138-517 kPa]

## Electrical Configuration

Plastic Brew Basket Configuration Code	Stainless Steel Brew Basket Configuration Code	Heater Configuration	Voltage	Phase	Wires	KW	Electrical Connection	Max Amp Draw	Gallon [Liter] / Hour
E213253	E213253M	2 x 3.0 kW	200-240	1	2+G	4.2-6.1	Hardwired	21.3-25.5	14.0 [53] <sup>(1)</sup>

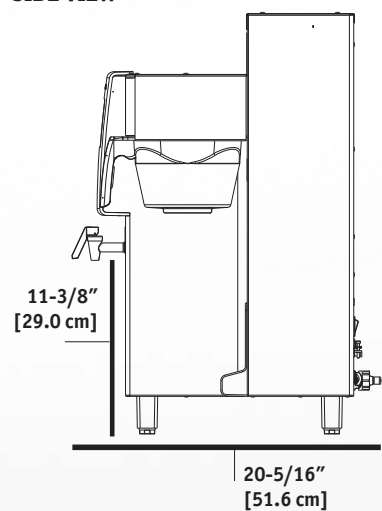
(1) Based on standard factory settings: 5.5 minute brew time; 0% prewet; 200°F water. 1 gallon per batch.

## Measurements

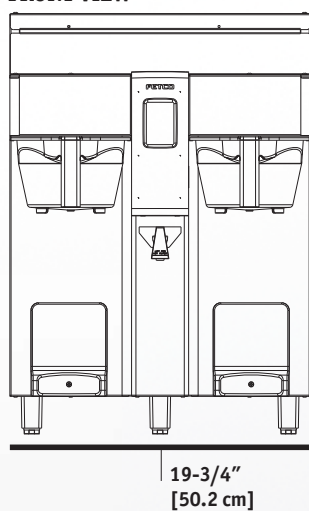
Height 27 3/4" [71 cm]	Width 19 3/4" [51 cm]	Depth 20 3/8" [52 cm]	Empty Weight 47 lbs [21 kg]	Filled Weight 92 lbs [42 kg]	Combined Filled Weight 115 lbs [52 kg] <small>BREWER + 2 FILLED D063 DISPENSERS</small>	Hot Water Tank Cap. 5.8 gal [22.1 l]	Shipping Weight: 58 lbs [26 kg]	Shipping Dimensions: 23" x 25" x 29" [59 x 64 x 74 cm]
------------------------------	-----------------------------	-----------------------------	-----------------------------------	------------------------------------	---	--	------------------------------------	---

## Dimensional Views

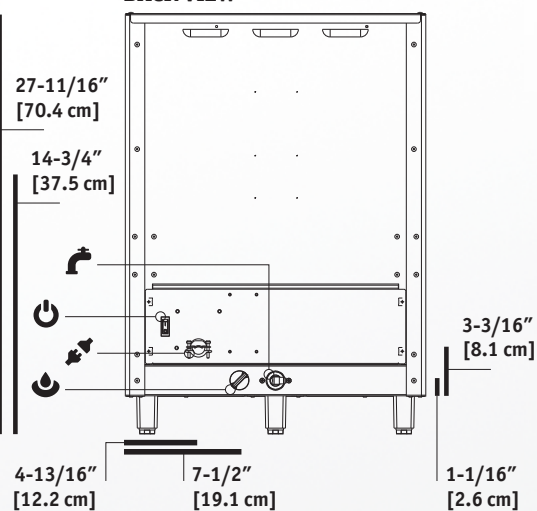
### SIDE VIEW



### FRONT VIEW

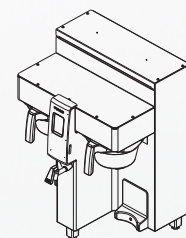


### BACK VIEW



### SYMBOLS

- Electrical Connector
- On / Off Switch
- Tank Drain
- Water Inlet



## Cups per Hour\*

8oz.	<b>224</b>
12oz.	<b>149</b>
16oz.	<b>112</b>
20oz.	<b>90</b>

## Compatible Dispensers

#D063  
1G Thermal Pump  
Lever Airpot

Product DIMS:  
Height: 16 1/2" [47 cm]  
Width: 7" [17.8 cm]  
Depth: 9" [22.9 cm]  
Weight:  
Empty: 9 lbs [4.1 kg]  
Filled: 13.3 lbs [6 kg]



## Paper Coffee Filters

#F002  
13" x 5"  
Paper Coffee Filter



## Brew Baskets

#B012218B1  
13" x 5"  
Stainless Steel



#B014218BN2  
13" x 5"  
Plastic w/ Brown Insert



\* Approximate based on maximum power setting.

MANUFACTURED  
★ IN THE USA ★