



3.0 GALLON COFFEE BREWING SYSTEM

CBS-2160 TOUCHSCREEN SERIES

The 3.0 Gallon CBS-2161 / 2162 XTS Touchscreen Series Coffee Brewers provide flexibility in large sized venues such as Banquet Halls, Large Hotels and Catering Operations. Simplify your daily operations and experience total control of this fully featured Extractor® Brewing System via an inviting touchscreen interface display that is intuitive, easy to read and simple to navigate.



CBS-2161XTS
Single Station Brewer*



CBS-2162XTS
Dual Station Brewer*

* Shown with TPD-30 Luxus® Dispenser (sold separately)

Perfect taste begins with a simple touch...

User Friendly Touchscreen

Access all controls via an inviting touchscreen interface display that blends intuitive icons with dynamic time and volume data to provide instant visual feedback at any point during programming, diagnostics or the brew cycle.



Streamlined Programming, Diagnostics and Metrics

The Extractor® Touchscreen Operating System (ETOS) was engineered for quick and efficient navigation through set-up, programming, diagnostics and daily operational brewing modes.



Customizable Screens

Customize the start screen to tie your equipment and product offerings into a consistent brand message. You can also create and display individual recipe names for quick and easy access to your most used coffee blends.



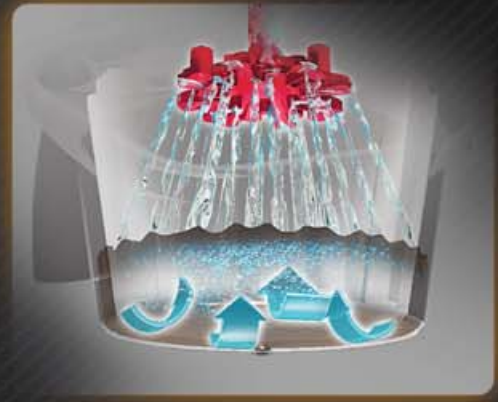
XTS™ Series

Driven by a user friendly touchscreen interface and intuitive software, the XTS series represents the next step in the evolution of FETCO's renown EXTRACTOR® brewing technology.



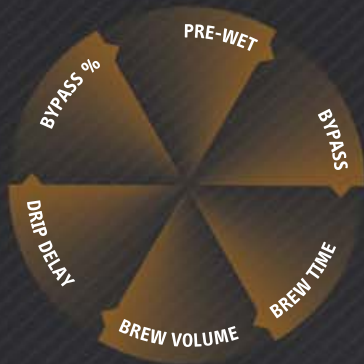
Cascading Spray Dome™

Hot tank water flows over clog-free channels built into the dome and virtually eliminates spray head scale buildup – a leading reason for service calls.



Legendary Extractor® Control

Take your coffee to its peak level by unlocking the full freshness, aroma and flavor of your taste profile with the legendary EXTRACTOR® brewing technology.



Efficient Design & Construction

FETCO equipment is designed and built to standards well above most others on the market today and can deliver significant energy savings when compared to similar competitor's products.



Modern Convenience

Duplicate profiles and parameters to and from any of the batch buttons on a single machine or copy the information to an unlimited number of brewers via a removable SD card (sold separately).



High Volume Capacity

Pair up with the durable 1.5 or 3.0 TPD thermal dispenser for portable, high-volume coffee service anywhere in your venue.



Water Specification

Water Inlet 3/8" male flare fitting	Minimum Flow Rate 2 gpm [7.6 lpm]	Water Pressure 20-75 psig [138-517 kPa]
--	--------------------------------------	--

Electrical Configuration

Configuration Code	Heater Configuration	Voltage	Phase	Wires	KW	Electrical Connection	Max Amp Draw	Gallon [Liter] / Hour
E216151 ⁽²⁾	3 X 3.0 kW	200-240	3	3L+G	6.4-9.1	Terminal Block	18.6-22.5	16.4-23.4 [62.0-88.0] ⁽¹⁾
Optional ⁽³⁾	2 X 3.0 kW	200-240	1	2L+G	4.6-6.1	Terminal Block	21.2-25.8	11.8-15.7 [44.0-59.0] ⁽¹⁾
E216152 ⁽²⁾	3 X 4.0 kW	200-240	3	3L+G	8.4-12.1	Terminal Block	24.7-28.9	21.6-30.0 [82.0-113.0] ⁽¹⁾
Optional ⁽³⁾	2 X 4.0 kW	200-240	1	2L+G	6.1-8.1	Terminal Block	28.1-33.8	15.6-20.8 [59.0-79.0] ⁽¹⁾
E216171	3 X 4.0 kW	480	3	3L+G	12.1	Terminal Block	14.9	27.0 [102.2] ⁽¹⁾

(1) Based on standard factory settings: 6.0 minute brew time; 0% prewet; 200°F water. 3 gallons per batch.
 (2) Sold as three phase, highest power version.
 (3) Equipment may be field configurable to lower-power, single-phase configuration using two heaters.

Compatible Dispensers

#D009 1.5 Gallon LUXUS® Portable Thermal Dispenser
 TPD-15



Product Dimensions
 (HxWxD):
 24 1/8" x 9 5/16" x 13 7/8"
 [61.3 x 23.7 x 35.2 cm]
 Weight (Empty / Filled)
 12.8 lbs [5.8 kg] /
 24.7 lbs [11.2 kg]

#D012 3.0 Gallon LUXUS® Portable Thermal Dispenser
 TPD-30



Product Dimensions
 (HxWxD):
 25 1/2" x 11" x 15 1/2"
 [64.8 x 27.9 x 39.4 cm]
 Weight (Empty / Filled)
 18.1 lbs [8.2 kg] /
 42.5 lbs [19.3 kg]

Paper Filter

#F004 Standard Paper Coffee Filter
 20" x 8"
 #F005 Half-Batch Paper Coffee Filter
 18 1/2" x 7 1/2"



Brew Basket

#B00828004 Stainless Steel Brew Basket
 21" x 7"
 #B00828002 Stainless Steel Brew Basket with Clips*
 21" x 7"



* (clips not shown)

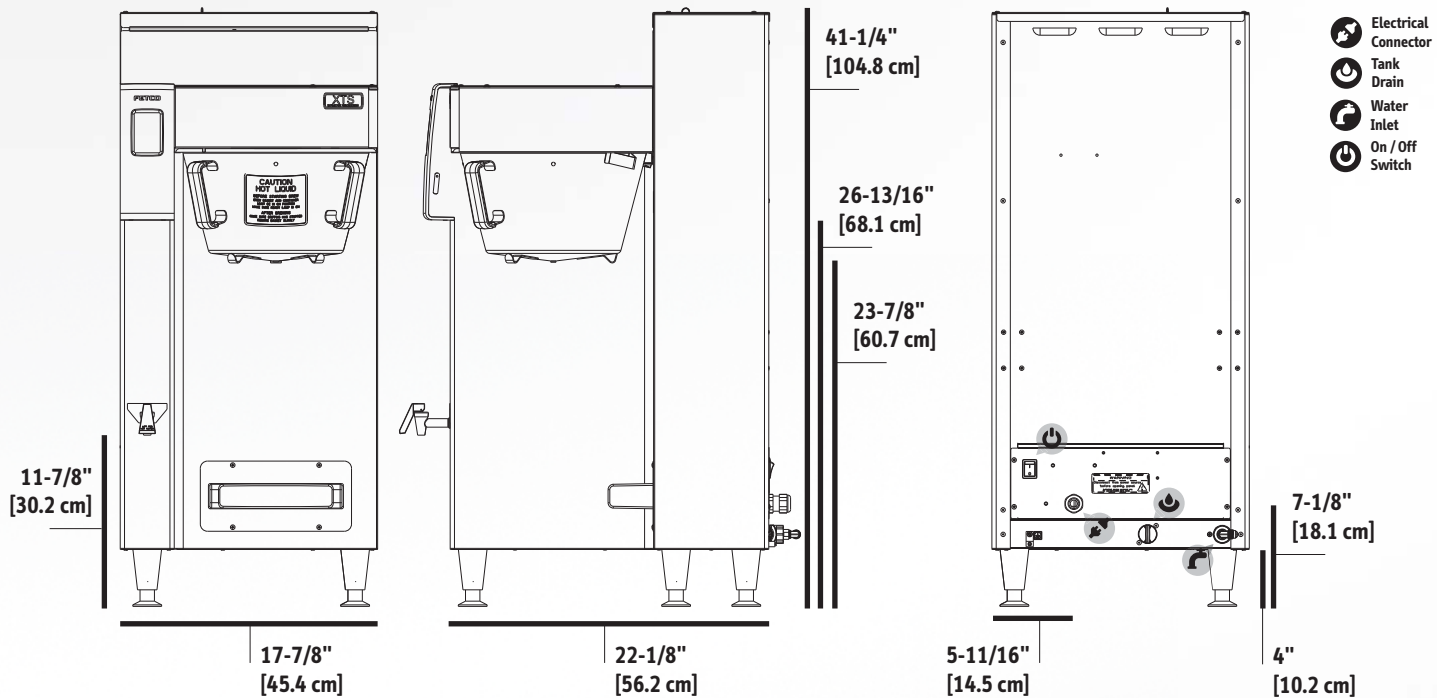
Cups per Hour*

8oz. **480** 12oz. **320** 16oz. **240** 20oz. **192**

* Approximate based on maximum power setting.

↔ **Measurements**

Height 41 1/4" [104.8 cm]	Width 17 7/8" [45.4 cm]	Depth 22 1/2" [57.0 cm]	Empty Weight 88 lbs [40.0 kg]	Filled Weight 160 lbs [72.5 kg]	Combined Filled Weight 202.5 lbs [92.0 kg] <small>BREWER + 1 FILLED TPD-30 DISPENSER</small>	Hot Water Tank Cap. 8.7 gal [33.0 l]	Shipping Weight 97 lbs [44.0 kg]	Shipping Dimensions 39" x 23" x 28" [99.1 x 58.4 x 71.1 cm]
--	--------------------------------------	--------------------------------------	--	--	---	--	--	--



Gallery



Water Specification

Water Inlet 3/8" male flare fitting	Minimum Flow Rate 2 gpm [7.6 lpm]	Water Pressure 20-75 psig [138-517 kPa]
--	--------------------------------------	--

Electrical Configuration

Configuration Code	Heater Configuration	Voltage	Phase	Wires	KW	Electrical Connection	Max Amp Draw	Gallon [Liter] / Hour
E216251	3 X 3.0 kW	200-240	3	3L+G	6.4-9.1	Terminal Block	18.6-22.5	16.4-23.4 [62.0-88.0] ⁽¹⁾
E216252	6 X 3.0 kW	200-240	3	3L+G	12.6-18.1	Terminal Block	36.4-43.7	32.4-46.5 [123.0-176.0] ⁽¹⁾
E216253	3 X 4.0 kW	200-240	3	3L+G	8.4-12.1	Terminal Block	24.7-28.9	21.6-31.2 [82.0-118.0] ⁽¹⁾
E216254	6 X 4.0 kW	200-240	3	3L+G	16.8-24.1	Terminal Block	48.4-58.1	43.1-60.0 [163.0-227.0] ⁽¹⁾
E216272	6 X 3.0 kW	440-480	3	3L+G	13.6-18.1	Terminal Block	19.4-22.2	33.2-44.0 [126.0-167.0] ⁽¹⁾
E216271	6 X 4.0 kW	440-480	3	3L+G	20.3-24.1	Terminal Block	26.6-29.4	52.2- 60.0 [197.0- 227.0] ⁽¹⁾

(1) Based on standard factory settings: 6.0 minute brew time; 0% prewet; 200°F water. 3 gallons per batch.

Compatible Dispensers

#D009 1.5 Gallon LUXUS® Portable Thermal Dispenser
TPD-15



Product Dimensions
(HxWxD):
24 1/8" x 9 5/16" x 13 7/8"
[61.3 x 23.7 x 35.2 cm]
Weight (Empty / Filled)
12.8 lbs [5.8 kg] /
24.7 lbs [11.2 kg]

#D012 3.0 Gallon LUXUS® Portable Thermal Dispenser
TPD-30



Product Dimensions
(HxWxD):
25 1/2" x 11" x 15 1/2"
[64.8 x 27.9 x 39.4 cm]
Weight (Empty / Filled)
18.1 lbs [8.2 kg] /
42.5 lbs [19.3 kg]

Paper Filter

#F004 Standard Paper Coffee Filter
20" x 8"
#F005 Half-Batch Paper Coffee Filter
18 1/2" x 7 1/2"



Brew Basket

#B00828004 Stainless Steel Brew Basket
21" x 7"
#B00828002 Stainless Steel Brew Basket with Clips*



* (clips not shown)

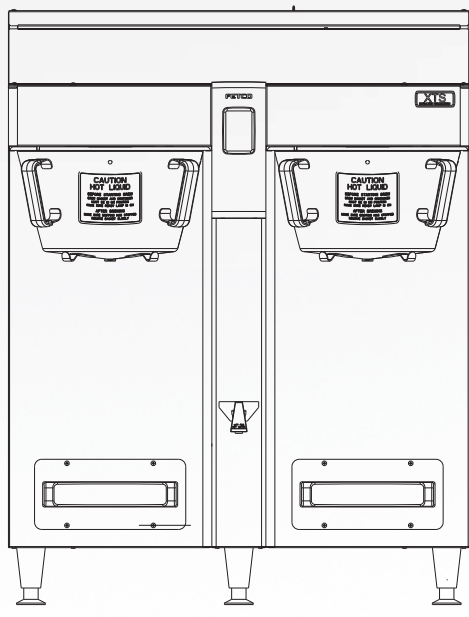
Cups per Hour*

8oz. **960** 12oz. **640** 16oz. **480** 20oz. **384**

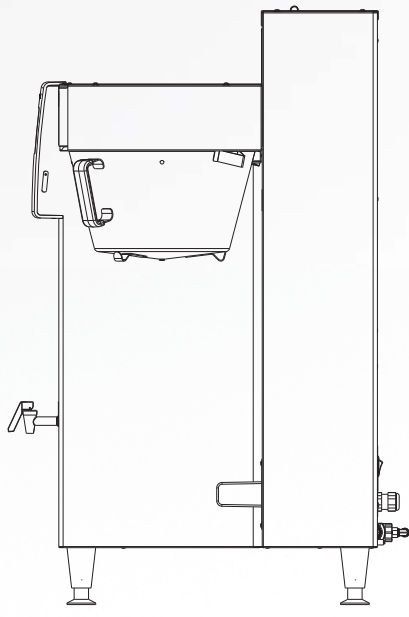
* Approximate based on maximum power setting.

↔ **Measurements**

Height 41 1/4" [104.8 cm]	Width 32" [81.3 cm]	Depth 22 1/2" [57.0 cm]	Empty Weight 130 lbs [59.0 kg]	Filled Weight 266 lbs [120.7 kg]	Combined Filled Weight 349 lbs [158.3 kg] <small>BREWER + 2 FILLED TPD-30 DISPENSERS</small>	Hot Water Tank Cap. 16.3 gal [62.0 l]	Shipping Weight 140 lbs [63.6 kg]	Shipping Dimensions 39" x 37" x 29" [99.1 x 94.0 x 73.7 cm]
--	----------------------------------	--------------------------------------	---	---	---	---	---	--



32"
[81.3 cm]



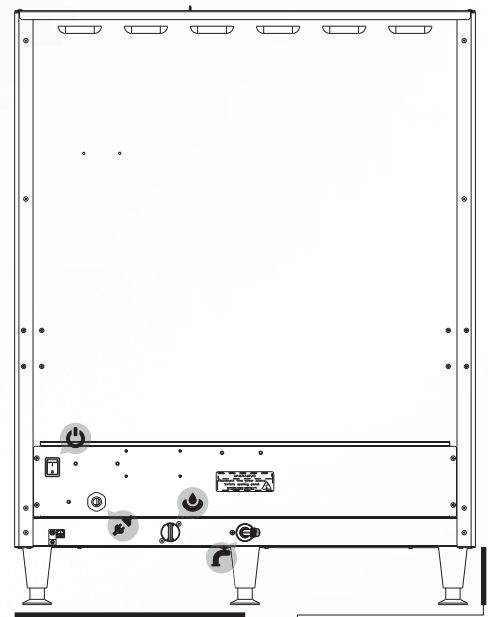
11-7/8"
[30.2 cm]

24-1/16"
[61.1 cm]

41-1/4"
[104.8 cm]

26-13/16"
[68.1 cm]

23-7/8"
[60.7 cm]



16"
[40.6 cm]

4"
[10.2 cm]

7-1/8"
[18.1 cm]

- Electrical Connector
- Water Inlet
- On / Off Switch
- Tank Drain

Gallery



Features & Benefits



Feature	Benefit
1 Touchscreen Interface	Allows for quick and easy access to brew controls.
2 Brew Basket Sensors	Automatically discontinues operation of brew cycle if basket is removed.
3 Reversible Dispenser Guide	Reversible 2-sided guide accommodates both 1.5G and 3.0G TPD Dispensers.
4 Manual Water Faucet	Safely dispenses hot water away from steam and brew basket.
5 Stainless Steel Finish	Withstands the harshest foodservice environments and is durable and easy to clean.



Dispensers sold separately.

FETCO[®]

© Copyright 2016 FETCO[®] is a mark of Food Equipment Technologies Company.

 fetco.com

#SS14068

 847.719.3000
1.800.338.2699 USA
 847.719.3001

 Food Equipment Technologies Co.
600 Rose Road
Lake Zurich, IL 60047
USA