

FETCO®

ITEM NUMBER: _____

MODEL L3D-20
SERIES L3D



Patents: D464,226S, 6,619,50, 6,702,153B2, 6,741,180
Other Patents Pending. International Patents Apply.

The LUXUS® Thermal Dispenser
Brewing directly into our LUXUS® Thermal Dispenser ensures a continuous flow of hot, aromatic, great tasting coffee. LUXUS® Thermal Dispensers are totally portable and require no electric power to maintain serving temperature. LUXUS® Thermal Dispensers remove the hazards of utilizing glass-lined products without loss of performance, while adding the durability of stainless steel.

Printed in USA 2006

NATURAL EVOLUTION

It Started in 1987.....

We pioneered the **LUXUS® THERMAL DISPENSER**, dreaming that one day it would become the standard for dispensing coffee that always tastes "just brewed". Fifteen years and hundreds of thousands of dispensers later our vision is the mark of serving the freshest tasting coffee.

Now for those who are driven and passionate about providing the best coffee, we present our newest model of

LUXUS® THERMAL DISPENSERS with these patented innovations:

Vacuum Insulated

Freshness Timer®

Volume Indicator™

Base with Built-In Drip Tray & Handles

Flip & Hide Brew Through Lid

Consultant & Contractor Approvals:

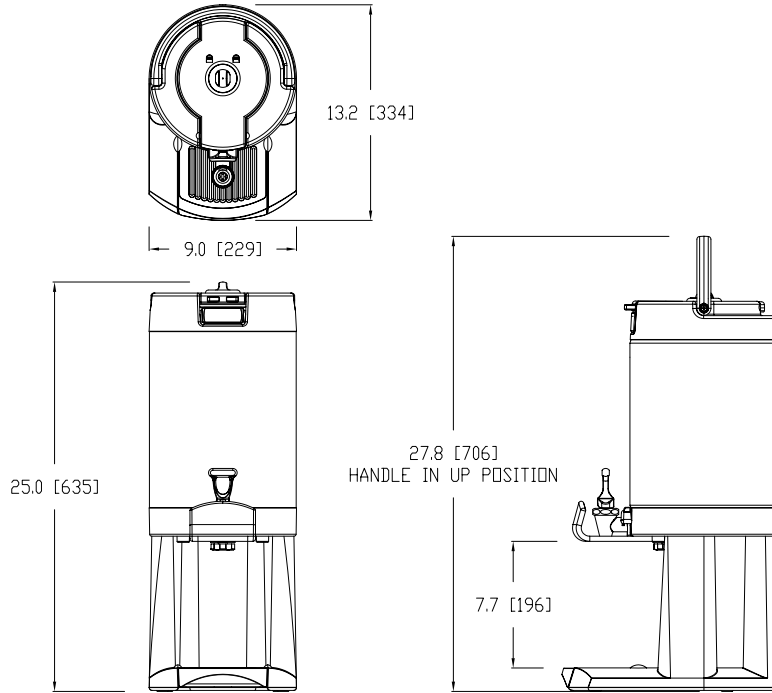
FETCO®
600 Rose Road
Lake Zurich, IL 60047-0429
USA

Phone: (847) 719-3000
Toll Free: (800) FETCO-99

FAX: (847) 719-3001
sales@fetco.com

http://www.fetco.com

MODEL L3D-20
SERIES L3D



L3D-20

ITEM / CAPACITY
D050 / 2.0 Gallon

SHIPMENT DIMENSIONS / WEIGHT
W10 D14 H26 / 14lbs

ACCESSORIES

A069 Identifier Plate, Acrylic

OPTIONS

Z053 Reverse Display

Z067 Wrap Application

FETCO®
600 Rose Road
Lake Zurich, IL 60047-0429 USA
Phone: (847) 719-3000 Toll Free: (800) FETCO-99
FAX: (847) 719-3001
sales@fetco.com <http://www.fetco.com>

FETCO, LUXUS, Extractor, Pulse-Brew, Driven To Pioneer Innovation and product dress are all trademarks or registered trademarks of Food Equipment Technologies Company