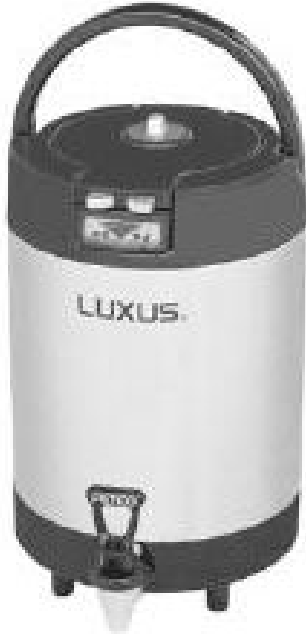


# FETCO®

ITEM NUMBER: \_\_\_\_\_

**MODEL L3S-10  
SERIES L3S**

## NATURAL EVOLUTION



**The LUXUS® Thermal Dispenser**  
Brewing directly into our LUXUS® Thermal Dispenser ensures a continuous flow of hot, aromatic, great tasting coffee. LUXUS® Thermal Dispensers are totally portable and require no electric power to maintain serving temperature. LUXUS® Thermal Dispensers remove the hazards of utilizing glass-lined products without loss of performance, while adding the durability of stainless steel.

**It Started in 1987.....**

We pioneered the **LUXUS® THERMAL DISPENSER**, dreaming that one day it would become the standard for dispensing coffee that always tastes "just brewed". Fifteen years and hundreds of thousands of dispensers later our vision is the mark of serving the freshest tasting coffee.

Now for those who are driven and passionate about providing the best coffee, we present our newest model of

**LUXUS® THERMAL DISPENSERS** with these patented innovations:

**Vacuum Insulated**

**Freshness Timer®**

**Volume Indicator™**

**Flip & Hide Brew Through Lid**

**Consultant & Contractor Approvals:**

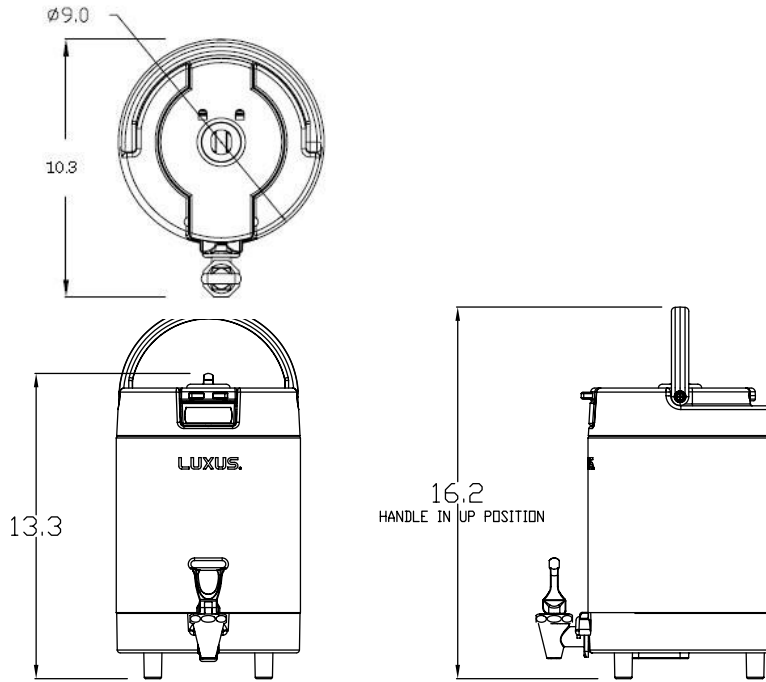
**FETCO®  
600 Rose Road  
Lake Zurich, IL 60047-0429  
USA**

**Phone: (847) 719-3000  
Toll Free: (800) FETCO-99**

**FAX: (847) 719-3001  
sales@fetco.com**

**http://www.fetco.com**

**MODEL L3S-10  
SERIES L3S**



**L3S-10**

ITEM / CAPACITY

**D051 / 1.0 Gallon**

SHIPMENT DIMENSIONS / WEIGHT

**W9 D10 H14 / 8lbs**

**ACCESSORIES**

- A069 Identifier Plate, Acrylic
- A093 Single Serving Station For L3S-10 (S3S-10-1)
- A094 Twin Serving Station For L3S-10 (S3S-10-2)
- A096 Triple Serving Station For L3S-10 (S3S-10-3)
- A120 Quad Serving Station For L3S-10 (S3S-10-4)

**OPTIONS**

- Z053 Reverse Display
- Z067 Wrap Application

**WRAPS**

- 058 Breaking Fresh Grounds™ For L3D-10 & L3S-10
- 060 Steeping Fresh Leaves™ For L3D-10 & L3S-10
- 065 Icing Fresh Coffee™ For L3D-10 & L3S-10

**FETCO®**  
**600 Rose Road**  
**Lake Zurich, IL 60047-0429 USA**  
**Phone: (847) 719-3000 Toll Free: (800) FETCO-99**  
**FAX: (847) 719-3001**  
**sales@fetco.com http://www.fetco.com z**

FETCO, LUXUS, Extractor, Pulse-Brew, Driven To Pioneer Innovation and product dress are all trademarks or registered trademarks of Food Equipment Technologies Company