

FETCO®

ITEM NUMBER: _____

**MODEL L3S-15
SERIES L3S**

NATURAL EVOLUTION

It Started in 1987.....

We pioneered the **LUXUS® THERMAL DISPENSER**, dreaming that one day it would become the standard for dispensing coffee that always tastes "just brewed". Fifteen years and hundreds of thousands of dispensers later our vision is the mark of serving the freshest tasting coffee.

Now for those who are driven and passionate about providing the best coffee, we present our newest model of

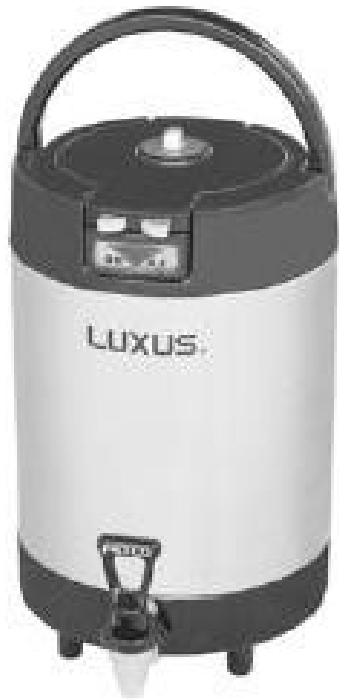
LUXUS® THERMAL DISPENSERS with these patented innovations:

Vacuum Insulated

Freshness Timer®

Volume Indicator™

Flip & Hide Brew Through Lid



The LUXUS® Thermal Dispenser
Brewing directly into our LUXUS® Thermal Dispenser ensures a continuous flow of hot, aromatic, great tasting coffee. LUXUS® Thermal Dispensers are totally portable and require no electric power to maintain serving temperature. LUXUS® Thermal Dispensers remove the hazards of utilizing glass-lined products without loss of performance, while adding the durability of stainless steel.

Consultant & Contractor Approvals:

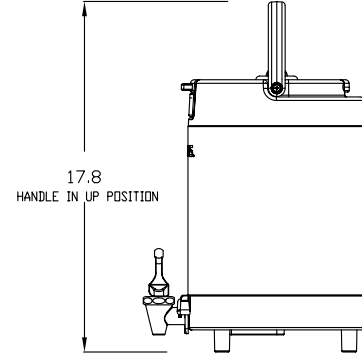
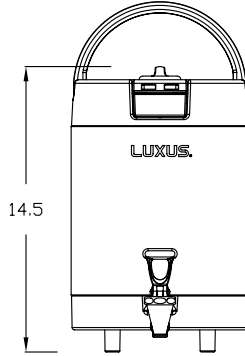
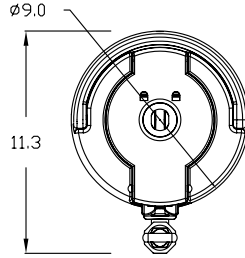
**FETCO®
600 Rose Road
Lake Zurich, IL 60047-0429
USA**

**Phone: (847) 719-3000
Toll Free: (800) FETCO-99**

**FAX: (847) 719-3001
sales@fetco.com**

http://www.fetco.com

MODEL L3S-15
LUXUS® THERMAL DISPENSERS



L3S-15

ITEM / CAPACITY
D052 / 1.5 Gallon

SHIPMENT DIMENSIONS / WEIGHT
W10 D11 H15 / 11lbs

ACCESSORIES

- A069 Identifier Plate, Acrylic
- A097 Single Serving Station For L3S-15 & L3S-20 (S3S-15/20-1)
- A098 Twin Serving Station For L3S-15 & L3S-20 (S3S-15/20-2)
- A099 Triple Serving Station For L3S-15 & L3S-20 (S3S-15/20-3)
- A129 Quad Serving Station For L3S-15 & L3S-20 (S3S-15/20-4)

OPTIONS

- Z053 Reverse Display
- Z067 Wrap Application

WRAPS

- 049 Plain Black (L3D-15 & L3S-15)
- 059 Breaking Fresh Grounds™ For L3D-15 & L3S-15
- 061 Steeping Fresh Leaves™ For L3D-15 & L3S-15
- 066 Icing Fresh Coffee™ For L3D-15 & L3S-15

FETCO®
600 Rose Road
Lake Zurich, IL 60047-0429 USA
Phone: (847) 719-3000 Toll Free: (800) FETCO-99
FAX: (847) 719-3001
sales@fetco.com http://www.fetco.com

FETCO, LUXUS, Extractor, Pulse-Brew, Driven To Pioneer Innovation and product dress are all trademarks or registered trademarks of Food Equipment Technologies Company