

FETCO®

ITEM NUMBER: _____

MODEL L3S-20
SERIES L3S

NATURAL EVOLUTION

It Started in 1987.....

We pioneered the **LUXUS® THERMAL DISPENSER**, dreaming that one day it would become the standard for dispensing coffee that always tastes "just brewed". Fifteen years and hundreds of thousands of dispensers later our vision is the mark of serving the freshest tasting coffee.

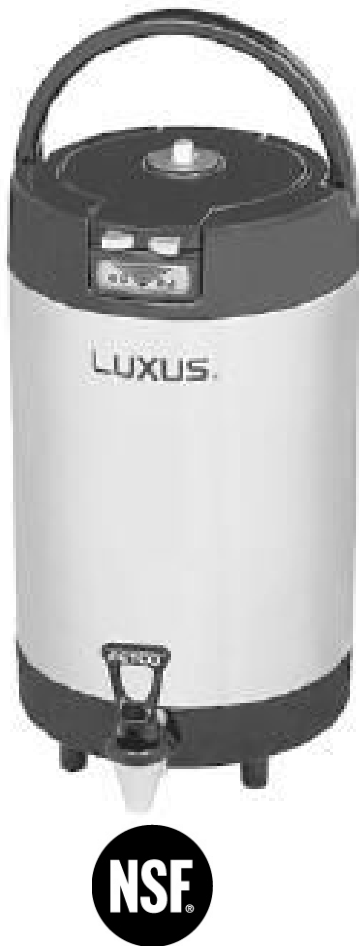
Now for those who are driven and passionate about providing the best coffee, we present our newest model of **LUXUS® THERMAL DISPENSERS** with these patented innovations:

Vacuum Insulated

Freshness Timer®

Volume Indicator™

Flip & Hide Brew Through Lid



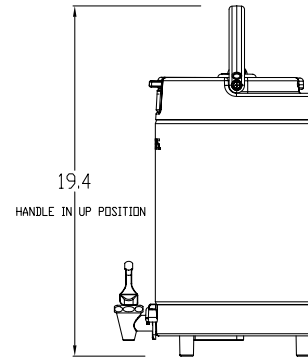
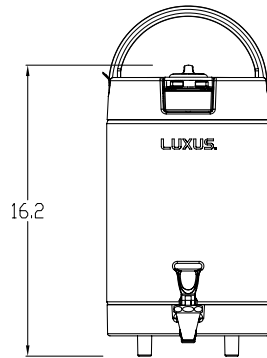
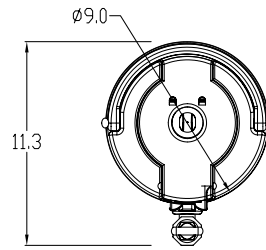
The LUXUS® Thermal Dispenser
Brewing directly into our LUXUS® Thermal Dispenser ensures a continuous flow of hot, aromatic, great tasting coffee. LUXUS® Thermal Dispensers are totally portable and require no electric power to maintain serving temperature. LUXUS® Thermal Dispensers remove the hazards of utilizing glass-lined products without loss of performance, while adding the durability of stainless steel.

Consultant & Contractor Approvals:

FETCO®
600 Rose Road
Lake Zurich, IL 60047-0429
USA

Phone: (847) 719-3000
Toll Free: (800) FETCO-99
FAX: (847) 719-3001
sales@fetco.com
http://www.fetco.com

MODEL L3S-20 SERIES L3S



L3S-20

ITEM / CAPACITY
D053 / 2.0 Gallon

SHIPMENT DIMENSIONS / WEIGHT
W10 D11 H17 / 12lbs

ACCESSORIES

A069	Identifier Plate, Acrylic
A097	Single Serving Station For L3S-15 & L3S-20 (S3S-15/20-1)
A098	Twin Serving Station For L3S-15 & L3S-20 (S3S-15/20-2)
A099	Triple Serving Station For L3S-15 & L3S-20 (S3S-15/20-3)
A129	Quad Serving Station For L3S-15 & L3S-20 (S3S-15/20-4)

OPTIONS

Z053	Reverse Display
Z067	Wrap Application

FETCO®
600 Rose Road
Lake Zurich, IL 60047-0429 USA
Phone: (847) 719-3000 Toll Free: (800) FETCO-99
FAX: (847) 719-3001
sales@fetco.com <http://www.fetco.com>

FETCO, LUXUS, Extractor, Pulse-Brew, Driven To Pioneer Innovation and product dress are all trademarks or registered trademarks of Food Equipment Technologies Company