



EXTRACTOR ICED TEA BREWER

TBS-2121 Touchscreen Series

3.5 Gallon Twin Brewer



Brew the most flavorful and refreshing iced teas with the **TBS-2121** Twin 3.5 Gallon Iced Tea Brewer from FETCO. Precision brew controls, modern style and expert craftsmanship come together to provide a complete iced beverage solution for the operator and an extraordinary taste experience for their customers.

Brewer shown with 2ea. 3.5 Gallon Iced Tea Dispenser (ITD-2135) sold separately.



Touchscreen Simplicity

A simple touch is all it takes to experience full control over the brew cycle.



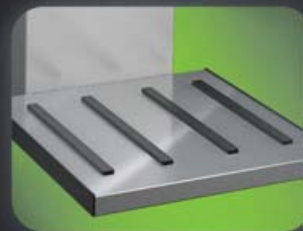
Functional Design

New features and exclusive designs provide an extraordinary tea service experience for both operators and consumers.



Style

Modern European style elevates your iced tea service with an attractive, inviting self-serve atmosphere.



Solid Construction

FETCO's reputation is second to none for precision craftsmanship and everlasting durability.

EXTRACTOR® TBS-2121 Twin 3.5 Gallon Iced Tea Brewer

The EXTRACTOR TBS-2121 Twin 3.5 Gallon Touchscreen Iced Tea Brewer is the latest high-quality product offering from FETCO. It combines the simplicity of a touchscreen with new features like the innovative “intelligent” brew basket for quick, efficient operation and for producing the most flavorful taste profiles from your teas.

User Friendly Operation

- Access all controls via an inviting touchscreen interface display that blends intuitive icons with dynamic time and volume data.
- Efficiently navigate set-up, programming, diagnostics and daily brewing modes.
- Customize the start screen to tie your equipment and product offerings into a consistent brand message.
- Create and display up to nine recipe names for easy access and reference.



Extract, Brew and Steep

- FETCO’s patented Cascading Spray Dome water delivery system provides excellent coverage for loose leaf or prepackaged tea and will never clog!
- Dual dilution spouts positioned above the container dispense water directly from the inlet. The right-side spout can also deliver liquid sweetener (if so equipped).
- Program the exact steep time for precise control over flavor extraction.



Product Views

Front



Side



Back



Isometric





Intelligent Design

- Brew Side Sensors automatically detect which side brewing will occur and displays the matching recipes on the touchscreen.
- Adjustable Orifice and Filter Screen System features a drain cap that removes for easy changing of up to 7 different orifice sizes and filter screen mesh patterns.
- Expandable Dispenser Base with front-to-back guide rails keep dispensers properly aligned with brew basket.



Space Savings

- Slim profile brewer takes up minimal counter space.
- Slim profile dispensers can be filled and placed in any area to make an instant serving station.
- Optional dispenser station add-on platforms are available in single and dual sizes for the right amount of dispenser space you need.

Accessories & Options

Dispenser Platforms



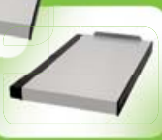
13"W for ITD
Dispensers
1102.00197.00

7.5"W for ITD
Dispensers
1102.00202.00



13"W Universal
Dispenser Platform
1102.00205.00

7.5"W Universal
Dispenser Platform
1102.00206.00



Brew Basket and Inserts



Brew Basket for TBS-2121
15" Dia. x 5 1/2"D
#B013000B2

Optional Graphics



#D064W112



Handle I.D. Insert
Blue: 1023.00180.00



Handle I.D. Insert
Red: 1023.00190.00



Handle I.D. Insert
Green: 1023.00191.00



Handle I.D. Insert
Orange: 1023.00192.00

Water Specification

Water Inlet 1/4" Male Flare Fitting	Minimum Flow Rate 1.5 gpm [5.7 lpm]	Water Pressure 35-50 psig [241-345 kPa]
--	--	--

Electrical Configuration

Configuration Code	Heater Configuration	Voltage	Phase	Wires	KW	Electrical Connection	Max Amp Draw	Gallon [Liter]/Hour
US / CANADA T212101	1 x 1680 W	120	1	2+G	1.7	NEMA 5-15P/5-20P-C	14.0	12.0 [46] ⁽¹⁾
WITH LIQUID SWEETENER INFUSION PUMP (AVAILABLE IN US MARKET ONLY) T212211	1 x 1680 W	120	1	2+G	1.8	NEMA 5-20P	14.5	12.0 [46] ⁽¹⁾

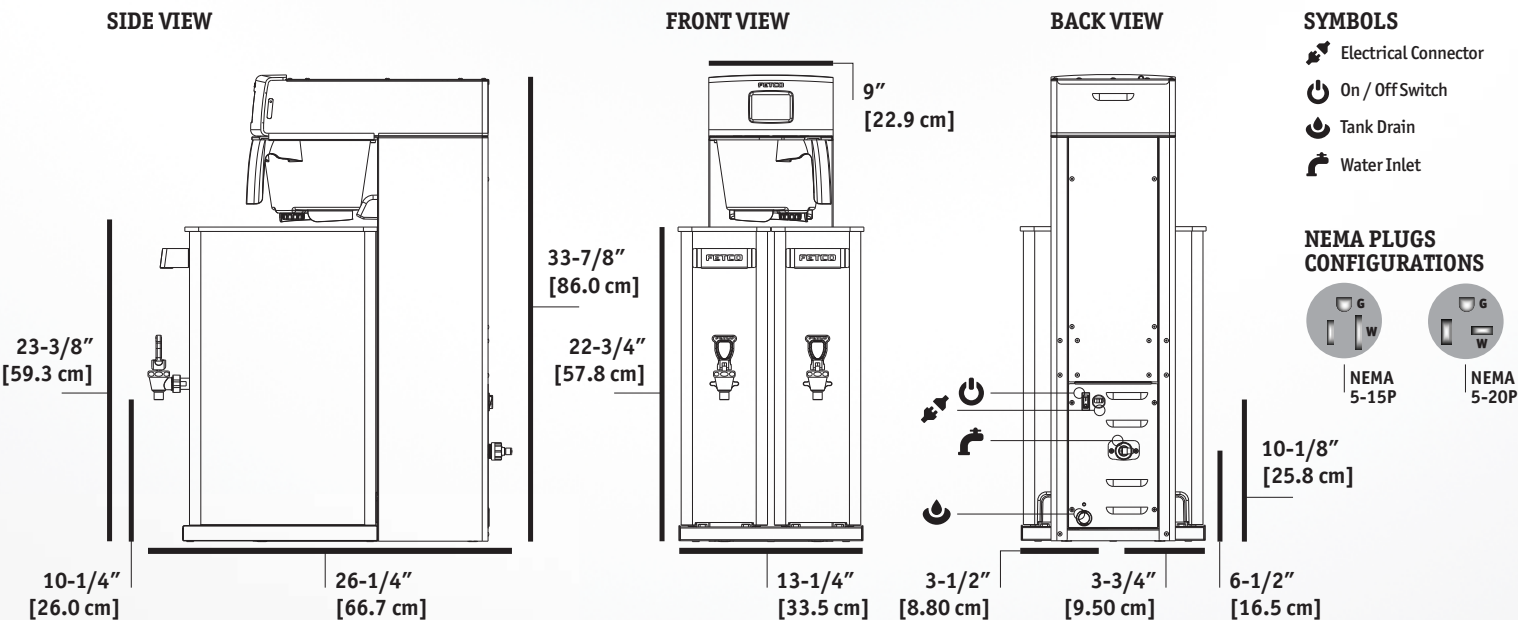
(1) Based on standard factory settings: 5.5 minute brew time; 0% prewet; 200°F water.

Measurements

Model TBS-2121	Height 34" [87 cm]	Width 13 1/2" [25.4 cm]	Depth 26 1/4" [67 cm]	Empty Weight 35 lbs [15.9 kg]	Filled Weight 44 lbs [20 kg]	Shipping Weight 46 lbs [21 kg]
TBS-2121-S ⁽²⁾	34" [87 cm]	13 1/2" [25.4 cm]	26 1/4" [67 cm]	40 lbs [18.1 kg]	60 lbs [28 kg]	51 lbs [24 kg]

(2) With Liquid Sweetener Infusion Pump.

Dimensional Views



Cups per Hour*

- 8oz. **288**
- 12oz. **192**
- 16oz. **144**
- 20oz. **115**

Compatible Dispensers

- ITD-2135
3.5G Iced Tea Dispenser (#D064)
- ITD-2135
3.5G Iced Tea Dispenser with Iced Tea Color Graphic (#D064W112)



Product DIMS:
 Height: 21 1/2" [55 cm]
 Width: 6 3/4" [18 cm]
 Depth: 16 3/4" [43 cm]
 Weight:
 Empty: 9 lbs [4.1 kg]
 Filled: 34 lbs [16 kg]

Paper Filters

#F001
 15" x 5 1/2" Paper Filter

* Approximate based on maximum power setting.

Patents: 6,148,717 & 6,565,906 & 6,576,282. Other Patents pending.

