

APPLICATION:

JOB NAME:

QUANTITY:                      ITEM NO.

PRODUCT NAME:  
**PEDESTAL GLASS AND PITCHER FILLER**

\_\_\_\_\_ SPECIAL CONFIGURATION  
 CHECK BASE MODEL AND OPTIONS

MODEL:  
 1009 WITH 6" SWING SPOUT

OPTIONS OR MODIFICATIONS:  
 OTHER \_\_\_\_\_

**FEATURES**

- \* REPLACEABLE STAINLESS STEEL HEAD
- \* MEETS NSF 61/SEC.9\*\*
- \* TAMPER PROOF VOLUME CONTROL
- \* HANDLES BOTH PAPER & GLASS CUPS
- \* NON-MARRING DELRIN PRONG
- \* STAINLESS STEEL SEAT SCREWS
- \* STAINLESS STEEL STREAM STRAINER
- \* 6" SWING SPOUT ROTATES 360°

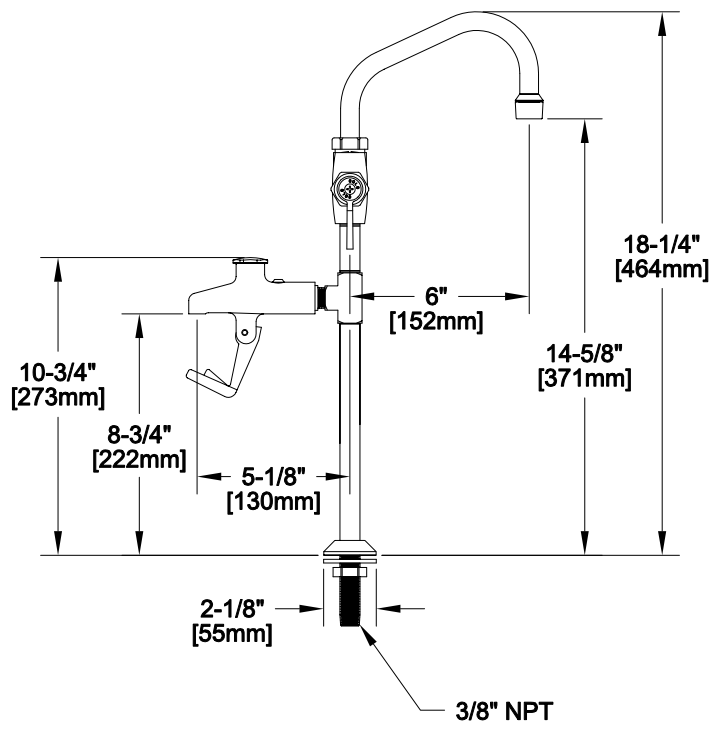
\*\* TESTED UNDER NSF-CSA ALLIANCE PROGRAM

**SYSTEM LIMITS**

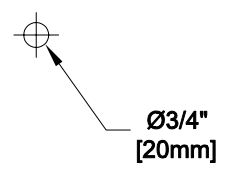
- \* TEMP: 40°F MIN. TO 140°F MAX.
- \* PRESSURE: 100 PSI MAX. STATIC

**SHIPPING WEIGHT**

- \* 4.25 LBS



ROUGH-IN:



**FISHER**  
 FISHER MANUFACTURING COMPANY  
 TOLL FREE: 800-421-6162 - FAX: 800-832-8238  
 information@fisher-mfg.com - www.fisher-mfg.com