

APPLICATION:

PRODUCT NAME:  
**PEDESTAL GLASS FILLER**

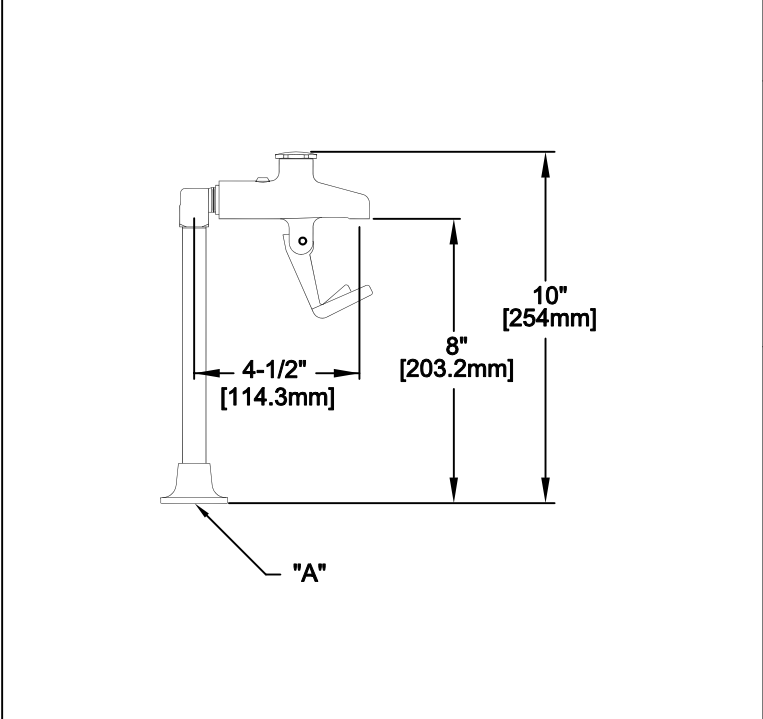
JOB NAME:

SPECIAL CONFIGURATION  
 CHECK BASE MODEL AND OPTIONS

QUANTITY:

ITEM NO.

MODEL:  
 1010 3/8" FEMALE INLET  
 1011 1/2" FEMALE INLET



OPTIONS OR MODIFICATIONS:  
 SUPPLY LINES (24" OR 36") CIRCLE LENGTH  
 NIPPLES  
 ELBOWS  
 HANDLES (CROSS OR WRIST) CIRCLE STYLE  
 VANDAL RESISTANT KIT  
 OTHER \_\_\_\_\_

FEATURES

- \* REPLACEABLE STAINLESS STEEL HEAD
- \* MEETS NSF 61/SEC.9
- \* TAMPER PROOF VOLUME CONTROL
- \* HANDLES BOTH PAPER & GLASS CAPS
- \* DELRIN PRONG, NON-MARRING
- \* STAINLESS STEEL SEAT SCREWS
- \* STAINLESS STEEL STREAM STRAINER

MODEL	DIM "A"
1010	3/8" NPT
1011	1/2" NPT

TESTED UNDER NSF-CSA ALLIANCE PROGRAM

RECOMMENDED SETTINGS  
\* 2.2 GPM MAX. AT 80 PSI

SYSTEM LIMITS  
\* TEMP: 40°F MIN. TO 140°F MAX.  
\* PRESSURE 100 PSI MAX. STATIC

SHIPPING WEIGHT  
\* 2.25 LBS

ROUGH-IN:

1010	1011
 Ø11/16" [17.46mm]	 Ø7/8" [22.23mm]

ANSI/A112.18.1M

**FISHER**  
FISHER MANUFACTURING COMPANY  
TOLL FREE: 800-421-6162 - FAX: 800-832-8238  
information@fisher-mfg.com - www.fisher-mfg.com