

APPLICATION:

JOB NAME:

QUANTITY: ITEM NO.

PRODUCT NAME:

GLASS FILLER 1/2" M X 1/4" F

SPECIAL CONFIGURATION
CHECK BASE MODEL AND OPTIONS

MODEL:

1013

OPTIONS OR MODIFICATIONS:

OTHER _____

FEATURES

- * STAINLESS STEEL HEAD
- * MEETS NSF 61/SEC.9**
- * TAMPER PROOF VOLUME CONTROL
- * HANDLES BOTH PAPER & GLASS CUPS
- * NON-MARRING DELRIN PRONG
- * STAINLESS STEEL SEAT SCREWS
- * STAINLESS STEEL STREAM STRAINER

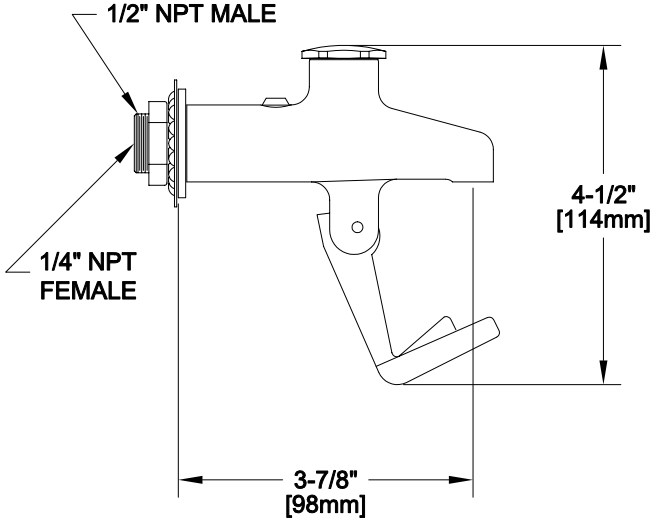
** TESTED UNDER NSF-CSA ALLIANCE PROGRAM

SYSTEM LIMITS

- * TEMP: 40°F MIN. TO 140°F MAX.
- * PRESSURE: 100 PSI MAX. STATIC
- * 2.2 GPM AT 80 PSI

SHIPPING WEIGHT

- * 1.25 LBS



ROUGH-IN:

