

APPLICATION:

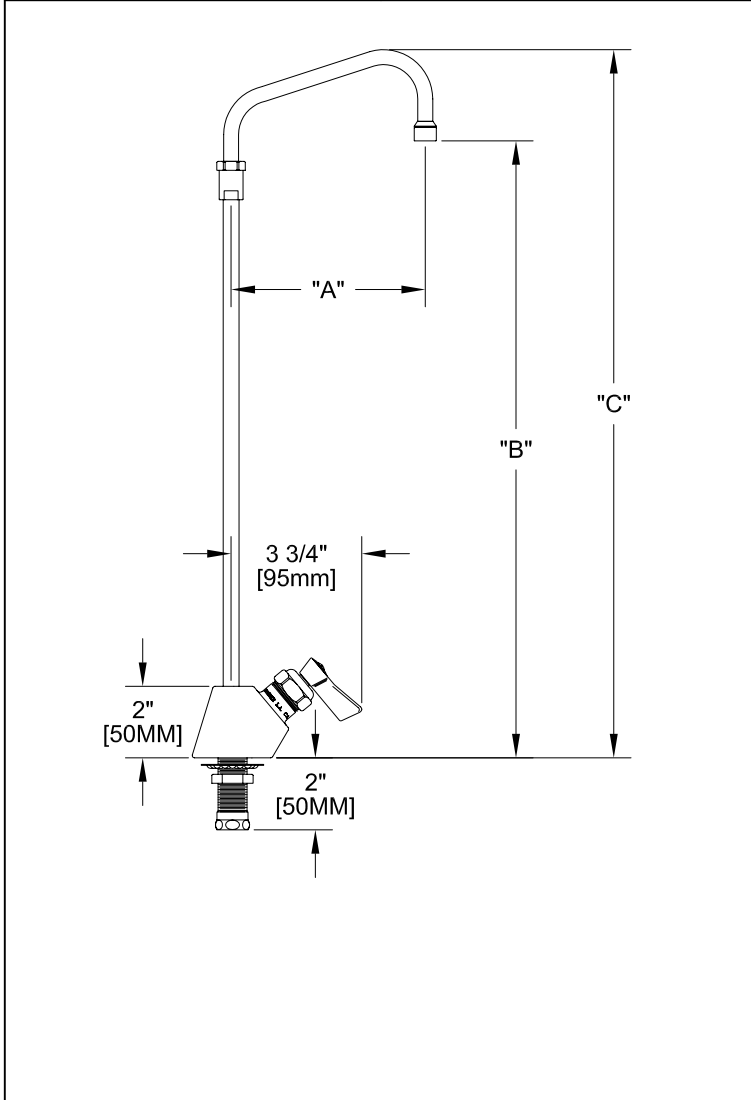
JOB NAME:

QUANTITY: ITEM NO.

PRODUCT NAME:

SINGLE DECK KETTLE FILLER

_____ SPECIAL CONFIGURATION
CHECK BASE MODEL AND OPTIONS



MODEL:

10375 WITH 6" SWING SPOUT

10383 WITH 8" SWING SPOUT

10405 WITH 10" SWING SPOUT

10413 WITH 12" SWING SPOUT

10421 WITH 14" SWING SPOUT

10510 WITH 16" SWING SPOUT

FEATURES

CONTROL VALVE

- * SINGLE DECK
- * STAINLESS STEEL CONSTRUCTION
- * SWIVEL SEAT DISK
- * STEM - LEFT HAND
- * LEVER HANDLES OR WRIST HANDLES
- * STAINLESS STEEL SWING SPOUT

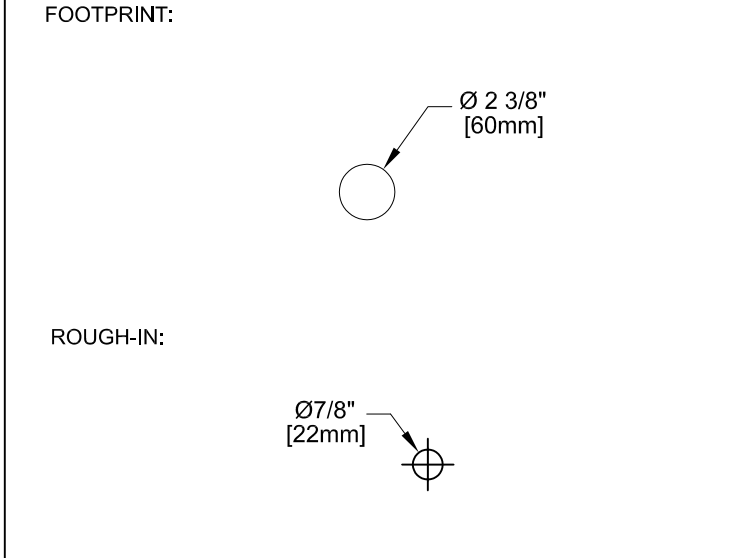
SYSTEM LIMITS

- * TEMP: 40°F MIN. TO 140°F MAX. STATIC
- * PRESSURE 200 PSI MAX.
- * 2.20 GPM AT 80 PSI

SHIPPING WEIGHT

- * 4.75 LBS

* NSF 61-9 APPROVED & LISTED
www.truesdail.com



| MODEL | DIM "A" | DIM "B" | DIM "C" |
|-------|----------------|--------------------|--------------------|
| 10375 | 6" [152MM] | 23" [584MM] | 26-5/8" [676MM] |
| 10383 | 8" [203MM] | 23-1/4" [590MM] | 27-1/8" [689MM] |
| 10405 | 10" [254MM] | 23-7/8" [606MM] | 27-5/8" [701MM] |
| 10413 | 12" [304MM] | 24-1/2" [622MM] | 28" [711MM] |
| 10421 | 14" [355MM] | 25-1/4" [640MM] | 29" [736MM] |
| 10510 | 16" [406MM] | 25-7/8" [657MM] | 29-5/8" [752MM] |

FISHER
FISHER MANUFACTURING COMPANY
TOLL FREE: 800-421-6162 - FAX: 800-832-8238
information@fisher-mfg.com - www.fisher-mfg.com