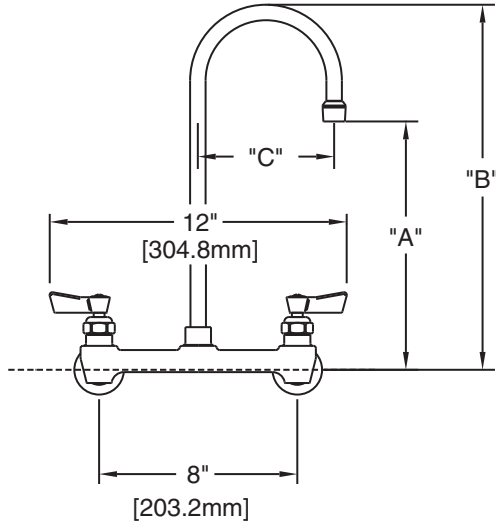


JOB NAME:

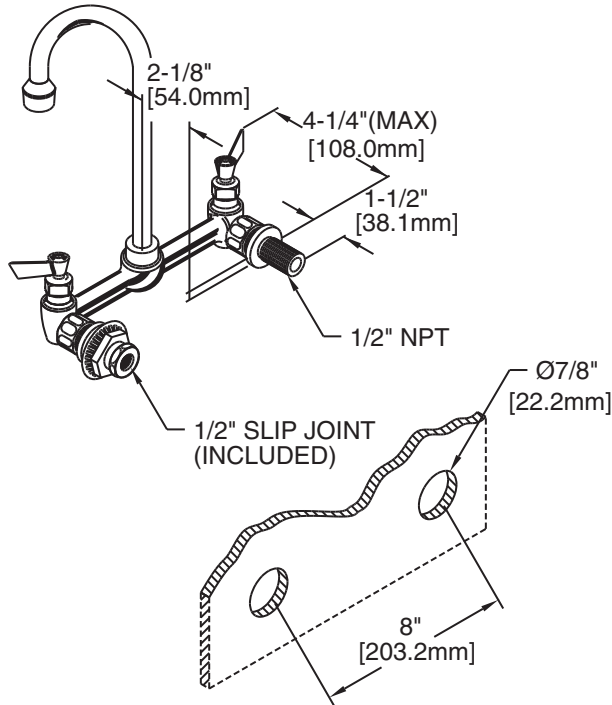
QUANTITY:

ITEM NO.:



MODEL	DIM "A"	DIM "B"	DIM "C"
13307	8-1/4" [209.6mm]	12-1/4" [311.2mm]	5-1/2" [139.7mm]
13293	4-1/2" [114.3mm]	8-1/16" [204.8mm]	3-1/2" [88.90mm]

ROUGH-IN:



PRODUCT NAME:

**8" C/C BACKSPLASH FAUCET
WITH RIGID GOOSENECK SPOUT**

_____ SPECIAL CONFIGURATION
(CHECK BASE MODEL AND OPTIONS)

MODEL:

- 13307 W/12 RIGID GOOSENECK SPOUT
- 13293 W/6" RIGID GOOSENECK SPOUT

OPTIONS OR MODIFICATIONS:

- SUPPLY LINES (12", 24" OR 36") CIRCLE LENGTH
- ELBOWS
- VANDAL RESISTANT KIT
- HANDLES (CROSS OR WRIST) CIRCLE STYLE
- OTHER _____

FEATURES

CONTROL VALVE

- * 8" C/C BACKSPLASH FAUCET
- * SWIVELLING SEAT DISKS
- * HOT SIDE STEM - RIGHT HAND
- * COLD SIDE STEM - LEFT HAND
- * STAINLESS STEEL SEATS
- * STAINLESS STEEL SEAT SCREWS
- * STAINLESS STEEL HANDLE SCREWS

SYSTEM LIMITS

- * TEMP: 40°F MIN. TO 140°F MAX.
- * PRESSURE 200 PSI MAX. STATIC
- * 2.20 GPM AT 80 PSI

SHIPPING WEIGHT

- * 5.0 LBS

ANSI/A112.18.1M, ANSI/NSF 61.9

FISHER MANUFACTURING COMPANY
1900 SOUTH "O" STREET, TULARE, CALIFORNIA 93274
MAILING ADDRESS: P.O. BOX 60, TULARE, CALIFORNIA 93275
PHONE: (800) 421-6162 FAX: (800) 832-8238
MADE IN U. S. A.