

APPLICATION:

JOB NAME:

QUANTITY: ITEM NO.

PRODUCT NAME:

4" C/C DECK FAUCET

SPECIAL CONFIGURATION
CHECK BASE MODEL AND OPTIONS

- MODEL:
- 3510 W/ 6" SWING SPOUT
 - 3511 W/ 8" SWING SPOUT
 - 3512 W/ 10" SWING SPOUT
 - 3513 W/ 12" SWING SPOUT
 - 3514 W/ 14" SWING SPOUT
 - 1635 W/ 16" SWING SPOUT

- OPTIONS OR MODIFICATIONS:
- SUPPLY LINES (24" OR 36") CIRCLE LENGTH
 - DJ SUB-ASSY (7-1/4" OR 13") CIRCLE LENGTH
 - VANDAL RESISTANT KIT
 - HANDLES (CROSS OR WRIST) CIRCLE STYLE
 - OTHER _____

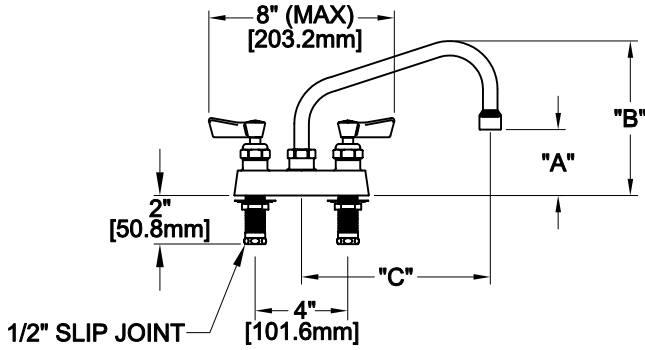
- FEATURES:
- * 4" C/C DECK MOUNT
 - * SWIVELING SEAT DISKS
 - * HOT SIDE STEM - RIGHT HAND
 - * COLD SIDE STEM - LEFT HAND
 - * STAINLESS STEEL SEATS
 - * STAINLESS STEEL SEAT SCREWS
 - * STAINLESS STEEL HANDLE SCREWS
 - * 1/2" SLIP JOINT KIT

SYSTEM LIMITS

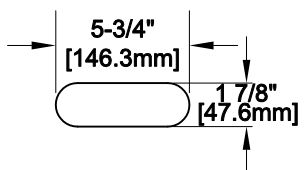
- * TEMP: 40°F MIN. TO 140°F MAX.
- * PRESSURE 200 PSI MAX. STATIC
- * 2.20 GPM AT 80 PSI

SHIPPING WEIGHT

*4.75 LBS



FOOTPRINT:



MODEL	DIM "A"	DIM "B"	DIM "C"
3510	2-3/8" [60.3mm]	6" [152.4mm]	6" [152.4mm]
3511	2-5/8" [66.7mm]	6-1/2" [165.1mm]	8" [203.2mm]
3512	3-1/4" [82.6mm]	7" [177.8mm]	10" [254.0mm]
3513	3-7/8" [98.4mm]	7-1/2" [190.5mm]	12" [304.8mm]
3514	4-1/2" [114.3mm]	8-3/8" [212.7mm]	14" [355.6mm]
1635	5-1/8" [130.2mm]	9" [228.6mm]	16" [406.4mm]

ROUGH-IN:

