

APPLICATION:

PRODUCT NAME:
WIDESPREAD DECK FAUCET

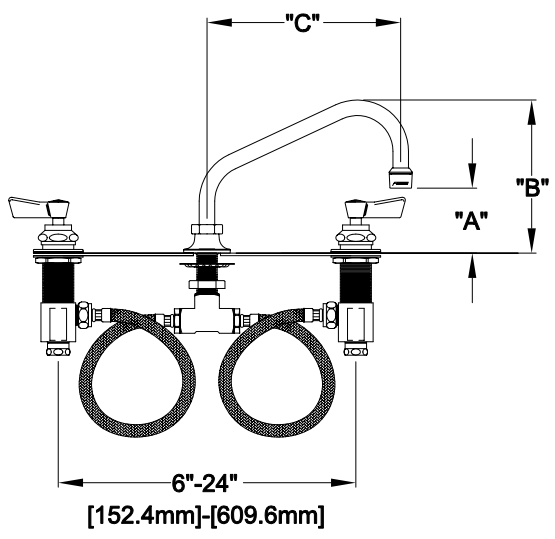
JOB NAME:

SPECIAL CONFIGURATION
 CHECK BASE MODEL AND OPTIONS

QUANTITY:

ITEM NO.

MODEL:
 1686 W/ 6" SWING SPOUT
 1694 W/ 8" SWING SPOUT
 1708 W/ 10" SWING SPOUT
 1716 W/ 12" SWING SPOUT
 1724 W/ 14" SWING SPOUT
 1759 W/ 16" SWING SPOUT



OPTIONS OR MODIFICATIONS:
 SUPPLY LINES (24" OR 36") CIRCLE LENGTH
 DJ SUB-ASSY (7-1/4" OR 13") CIRCLE LENGTH
 HANDLES (CROSS OR WRIST) CIRCLE STYLE
 VANDAL RESISTANT KIT
 OTHER _____

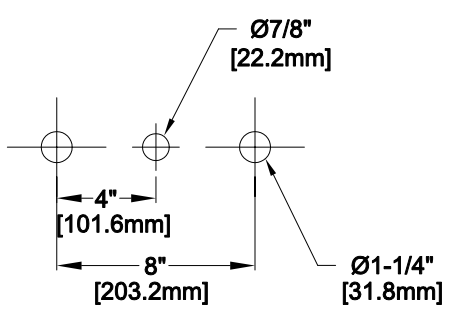
FEATURES:
 * WIDESPREAD DECK ADJUSTS FROM 6" TO 24"
 * SWIVELLING SEAT DISKS
 * HOT SIDE STEM - RIGHT HAND
 * COLD SIDE SEAT - LEFT HAND
 * STAINLESS STEEL SEATS
 * STAINLESS STEEL SEAT SCREWS
 * STAINLESS STEEL HANDLE SCREWS

| MODEL | DIM "A" | DIM "B" | DIM "C" |
|-------|---------------------|---------------------|------------------|
| 1686 | 1-3/4" [44.5mm] | 5-3/8" [136.5mm] | 6" [152.4mm] |
| 1694 | 2" [50.8mm] | 5-7/8" [149.2mm] | 8" [203.2mm] |
| 1708 | 2-5/8" [66.7mm] | 6-3/8" [161.9mm] | 10" [254.0mm] |
| 1716 | 3-1/4" [82.6mm] | 6-7/8" [174.6mm] | 12" [304.8mm] |
| 1724 | 3-7/8" [98.4mm] | 7-3/4" [196.9mm] | 14" [355.6mm] |
| 1759 | 4-5/8" [117.5mm] | 8-3/8" [212.7mm] | 16" [406.4mm] |

SYSTEM LIMITS
 * TEMP: 40°F MIN. TO 140°F MAX.
 * PRESSURE 200 PSI MAX. STATIC
 * 2.20 GPM AT 80 PSI

SHIPPING WEIGHT
 * 5.0 LBS

ROUGH-IN:



FISHER
 FISHER MANUFACTURING COMPANY
 TOLL FREE: 800-421-6162 - FAX: 800-832-8238
 information@fisher-mfg.com - www.fisher-mfg.com