

APPLICATION:

PRODUCT NAME:  
SINGLE DECK FAUCET

JOB NAME:

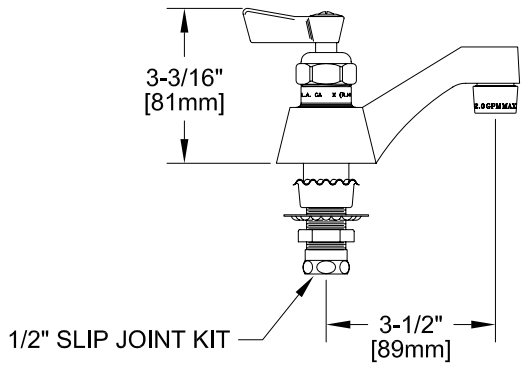
SPECIAL CONFIGURATION  
 CHECK BASE MODEL AND OPTIONS

QUANTITY:

ITEM NO.

MODEL:  
 1731 RIGHT HAND STEM  
 1731-1 LEFT HAND STEM

OPTIONS OR MODIFICATIONS:  
 SUPPLY LINES (24" OR 36") CIRCLE LENGTH  
 HANDLES (CROSS OR WRIST) CIRCLE STYLE  
 VANDAL RESISTANT KIT  
 OTHER \_\_\_\_\_



FEATURES

- CONTROL VALVE
- \* SINGLE DECK
  - \* HOT AND COLD INDEX BUTTONS
  - \* SWIVELLING SEAT DISKS
  - \* STAINLESS STEEL SEATS
  - \* STAINLESS STEEL SEAT SCREWS
  - \* STAINLESS STEEL HANDLE SCREWS

- SYSTEM LIMITS
- \* TEMP: 40°F MIN. TO 140°F MAX.
  - \* PRESSURE: 200 PSI MAX. STATIC
  - \* 2.2 GPM AT 60 PSI

- SHIPPING WEIGHT
- \* 2.0 LBS

ROUGH-IN:

