

APPLICATION:

JOB NAME:

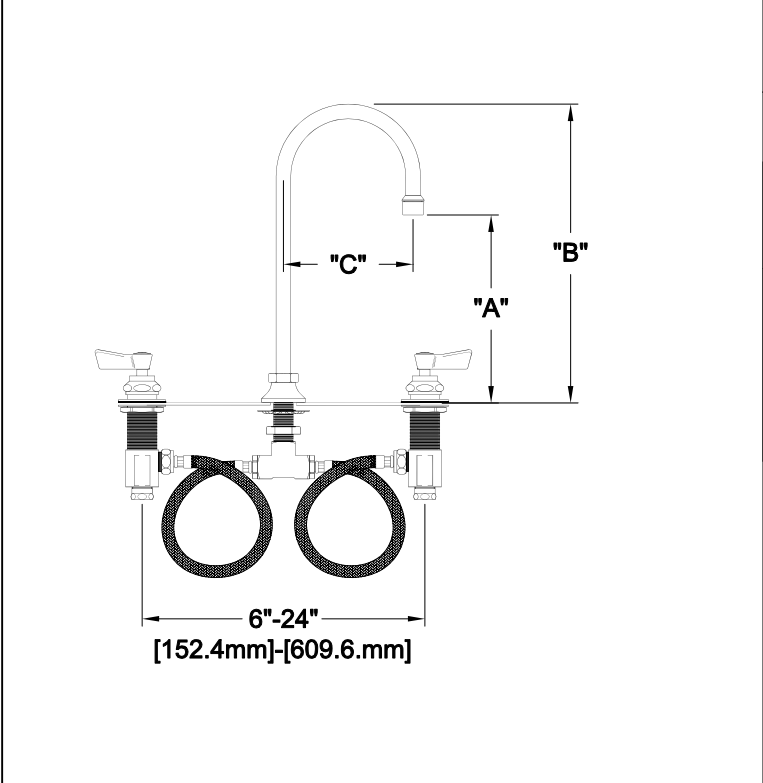
PRODUCT NAME:

**WIDESPREAD DECK FAUCET**

QUANTITY:

ITEM NO.

SPECIAL CONFIGURATION  
CHECK BASE MODEL AND OPTIONS



MODEL:

1902 W/ 12" RIGID GOOSENECK SPOUT

1778 W/ 6" RIGED GOOSENECK SPOUT

OPTIONS OR MODIFICATIONS:

SUPPLY LINES (24" OR 36") CIRCLE LENGTH

VANDAL RESISTANT KIT

OTHER \_\_\_\_\_

FEATURES:

- \* WIDESPREAD DECK ADJUST. FROM 6" TO 24"
- \* SWIVELLING SEAT DISKS
- \* HOT SIDE STEM - RIGHT HAND
- \* COLD SIDE STEM - LEFT HAND
- \* STAINLESS STEEL SEATS
- \* STAINLESS STEEL SEAT SCREWS
- \* STAINLESS STEEL HANDLE SCREWS

SYSTEM LIMITS

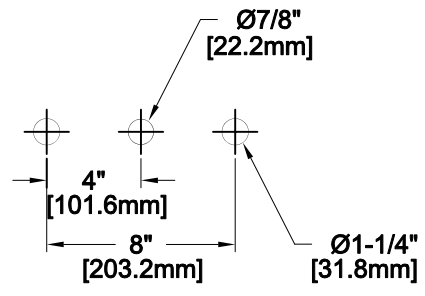
- \* TEMP: 40°F MIN. TO 140°F MAX.
- \* PRESSURE 200 PSI MAX. STATIC
- \* 2.20 GPM AT 60 PSI

SHIPPING WEIGHT

- \* 8.0 LBS

MODEL	DIM "A"	DIM "B"	DIM "C"
1902	8-3/16" [208.0mm]	12-5/16" [312.7mm]	5-1/2" [139.7mm]
1778	4-7/16" [112.7mm]	8-1/16" [204.8mm]	3-1/2" [88.9mm]

ROUGH-IN:



ANSI/A112.18.1M

FISHER MANUFACTURING COMPANY

TOLL FREE: 800-421-6162 - FAX: 800-832-8238

information@fisher-mfg.com - www.fisher-mfg.com