

APPLICATION:

JOB NAME:

QUANTITY:

ITEM NO.:

PRODUCT NAME:

**SERVICE SINK FAUCET WITH
LONG SPOUT AND VACUUM BREAKER**

■ 18031 SPECIAL CONFIGURATION
(CHECK BASE MODEL AND OPTIONS)

MODEL:

■ 8253

OPTIONS OR MODIFICATIONS:

- SUPPLY LINES (24" OR 36") CIRCLE LENGTH
- NIPPLES
- ELBOWS
- VANDAL RESISTANT KIT
- HANDLES (CROSS OR WRIST) CIRCLE STYLE
- OTHER _____

FEATURES:

CONTROL VALVE

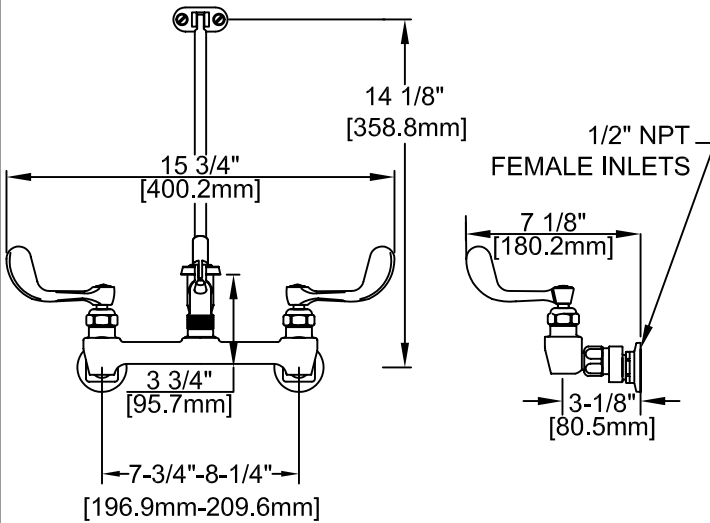
- * ECCENTRICS ADJUST FROM 7-3/4" TO 8-1/4"
- * INTERNAL SPRING LOADED CHECK VALVES
- * SWIVELING SEAT DISKS
- * HOT SIDE STEM - RIGHT HAND
- * COLD SIDE STEM - LEFT HAND
- * STAINLESS STEEL SEATS
- * STAINLESS STEEL SEAT SCREWS
- * STAINLESS STEEL HANDLE SCREWS
- * ATMOSPHERIC VACUUM BREAKER
- * 3/4" GARDEN HOSE THREAD OUTLET

SYSTEM LIMITS

- * TEMP: 40°F MIN. TO 140°F MAX.
- * PRESSURE 200 PSI MAX. STATIC
- * 13.6 GPM AT 80 PSI

SHIPPING WEIGHT

- * 6.25 LBS



ROUGH-IN:

