

APPLICATION:

JOB NAME:

QUANTITY: _____ **ITEM NO.:** _____

PRODUCT NAME:
8" ADJ. WALL CONTROL VALVE WITH ECCENTRIC STOPS

_____ **SPECIAL CONFIGURATION CHECK BASE MODEL AND OPTIONS**

MODEL:
 2201

OPTIONS OR MODIFICATIONS:

SUPPLY LINES (24" OR 36") CIRCLE LENGTH

NIPPLES

ELBOWS

HANDLES (CROSS OR WRIST) CIRCLE STYLE

VANDAL RESISTANT KIT

OTHER _____

FEATURES

CONTROL VALVE

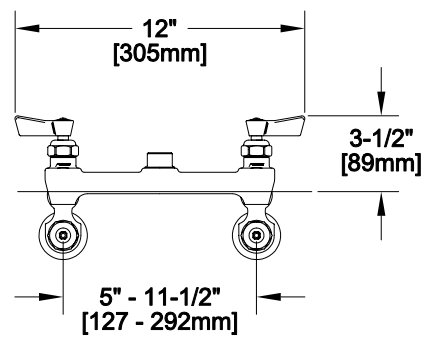
- * KEY-STOP ECCENTRICS ADJUST FROM 5" TO 11-1/2"
- * SWIVELLING SEAT DISKS
- * HOT SIDE STEM - RIGHT HAND
- * COLD SIDE STEM - LEFT HAND
- * STAINLESS STEEL SEATS
- * STAINLESS STEEL SEAT SCREWS
- * STAINLESS STEEL HANDLE SCREWS

SYSTEM LIMITS

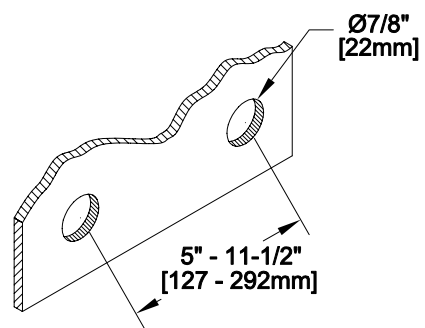
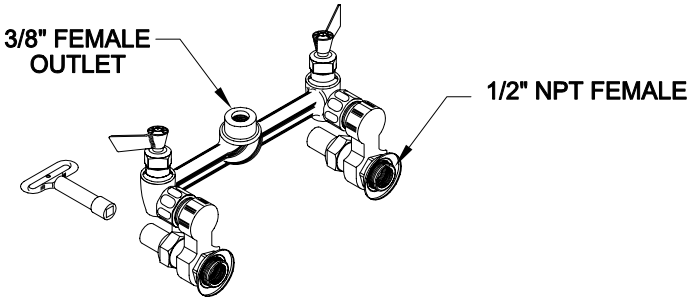
- * TEMP: 40°F MIN. TO 140°F MAX.
- * PRESSURE: 200 PSI MAX. STATIC
- * 13.6 GPM @ 80 PSI

SHIPPING WEIGHT

- * 5.0 LBS



ROUGH-IN:



FISHER
 FISHER MANUFACTURING COMPANY
 TOLL FREE: 800-421-6162 - FAX: 800-832-8238
 information@fisher-mfg.com - www.fisher-mfg.com