

APPLICATION:

PRODUCT NAME:  
**DrainKing WASTE VALVE**

JOB NAME:

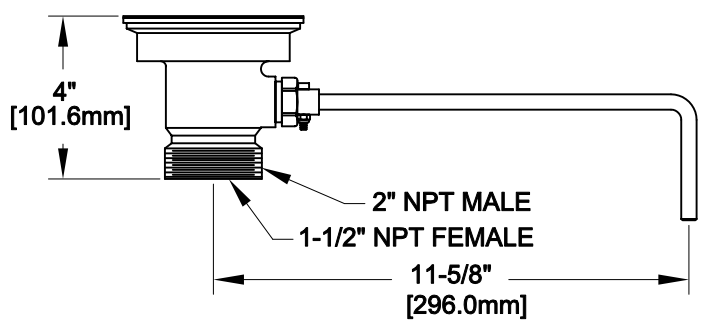
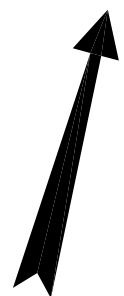
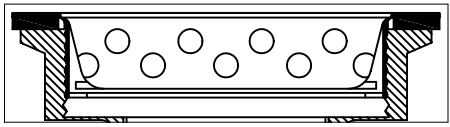
SPECIAL CONFIGURATION  
CHECK BASE MODEL AND OPTIONS

QUANTITY:

ITEM NO.

MODEL:  
 22349 w/ LOCKING BASKET STRAINER

OPTIONS OR MODIFICATIONS:  
 OTHER \_\_\_\_\_



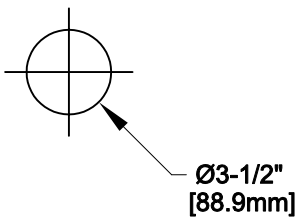
- FEATURES:
- \* DUAL TEFLON SEALS
  - \* STAINLESS STEEL BALL
  - \* CAST RED BRASS BODY
  - \* EXTRA STURDY STAINLESS STEEL CLAMPING RING
  - \* "CLEAR THROUGH" OPENING - NO NEED TO DISASSEMBLE IF SNAKING IS REQUIRED
  - \* INDUSTRY STANDARD "SEALING" ANGLE - FITS FLUSH TO STANDARD STAINLESS STEEL SINKS
  - \* STAINLESS STEEL LOCKING BASKET STRAINER
  - \* 1/4 TURN FULLY OPENS AND CLOSSES VALVE

DRAIN RATE:  
\* 12.0 GPM

SHIPPING WEIGHT  
\* 5.0 LBS

ROUGH-IN:

DRAIN:



**FISHER**  
 FISHER MANUFACTURING COMPANY  
 TOLL FREE: 800-421-6162 - FAX: 800-832-8238  
 information@fisher-mfg.com - www.fisher-mfg.com