

APPLICATION:
 JOB NAME:
 QUANTITY: ITEM NO.

PRODUCT NAME:
DrainKing WASTE VALVE

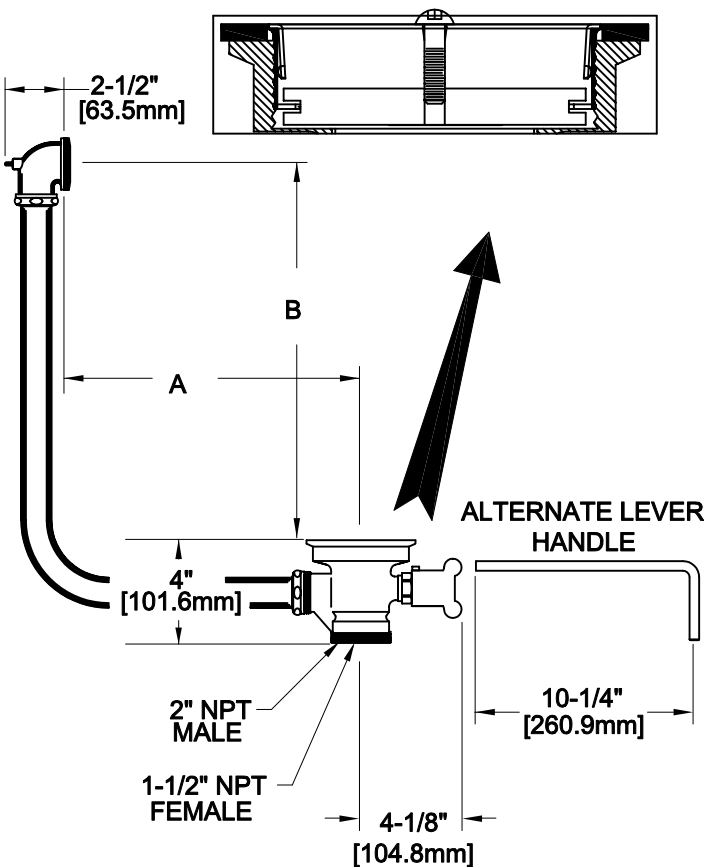
SPECIAL CONFIGURATION
 CHECK BASE MODEL AND OPTIONS

MODEL:
 22373 w/ VR FLAT STRAINER & KNOB.
 & 19" X 21" OVERFLOW
 22381 w/ VR FLAT STRAINER & KNOB.
 & 14" X 16" OVERFLOW

OPTIONS OR MODIFICATIONS:
 OTHER _____

FEATURES:
 * DUAL TEFLON SEALS
 * STAINLESS STEEL BALL
 * CAST RED BRASS BODY
 * EXTRA SURDY STAINLESS STEEL CLAMPING RING
 * "CLEAR THROUGH" OPENING, NO NEED TO DISASSEMBLE IF SNAKING IS REQUIRED
 * INDUSTRY STANDARD "SEALING" ANGLE - FITS FLUSH TO STANDARD STAINLESS STEEL SINKS
 * VANDAL RESISTANT STAINLESS STEEL FLAT STRAINER
 * VANDAL RESISTANT KNOB
 * 1/4 TURN FULLY OPENS AND CLOSES VALVE
 * SUPPLIED WITH:
 ALTERNATE LEVER HANDLE

DRAIN RATE:
 * 12 GPM
 SHIPPING WEIGHT
 * 10.0 LBS

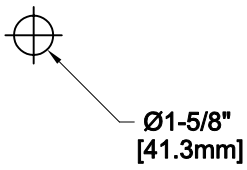


MODEL	19" X 21"	
	DIM "A"	DIM "B"
22373	19" [482.6mm]	19-1/4" [489.0mm]

MODEL	14" X 16"	
	DIM "A"	DIM "B"
22381	14" [355.6mm]	14-1/4" [362.0mm]

ROUGH-IN:

OVERFLOW



DRAIN

