

APPLICATION:  
 JOB NAME:  
 QUANTITY:                      ITEM NO.

PRODUCT NAME:  
 8" ADJ. WALL MOUNT UTILITY  
 SPRAY  
 SPECIAL CONFIGURATION  
 CHECK BASE MODEL AND OPTIONS

MODEL:  
 2270                      WITH WALL HOOK

- OPTIONS OR MODIFICATIONS:
- SUPPLY LINES (24" OR 36") CIRCLE LENGTH
  - ADD-ON FAUCET (6",8",10",12",14",16") CIRCLE LGTH
  - BACKFLOW PREVENTER
  - PIPE HOOK
  - NIPPLES
  - ELBOWS
  - BRUSH
  - VANDAL RESISTANT KIT
  - HANDLES (CROSS OR WRIST) CIRCLE STYLE
  - OTHER \_\_\_\_\_

**FEATURES:**

- CONTROL VALVE**
- \* ECCENTRICS ADJUST FROM 7-3/4" TO 8-1/4"
  - \* INTERNAL SPRING LOADED CHECK VALVES
  - \* SWIVELING SEAT DISKS
  - \* HOT SIDE STEM - RIGHT HAND
  - \* COLD SIDE STEM - LEFT HAND
  - \* STAINLESS STEEL SEATS
  - \* STAINLESS STEEL SEAT SCREWS
  - \* STAINLESS STEEL HANDLE SCREWS

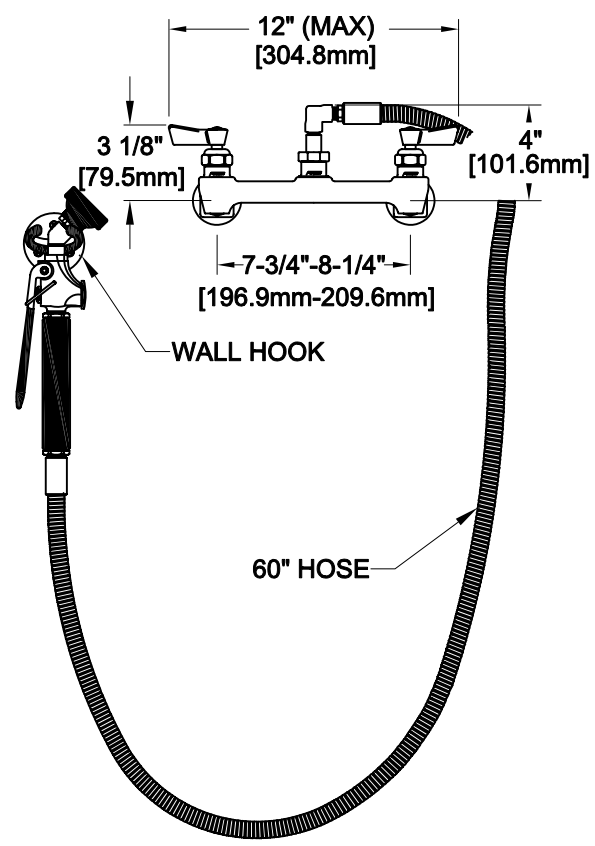
- SWIVEL ELBOW**
- \* 360° TURNING RADIUS

- HOSE**
- \* 60" LENGTH
  - \* STAINLESS STEEL END FITTINGS
  - \* STAINLESS STEEL EXTERNAL JACKET
  - \* 3 PLY FIBER REINFORCED INTERNAL RUBBER HOSE

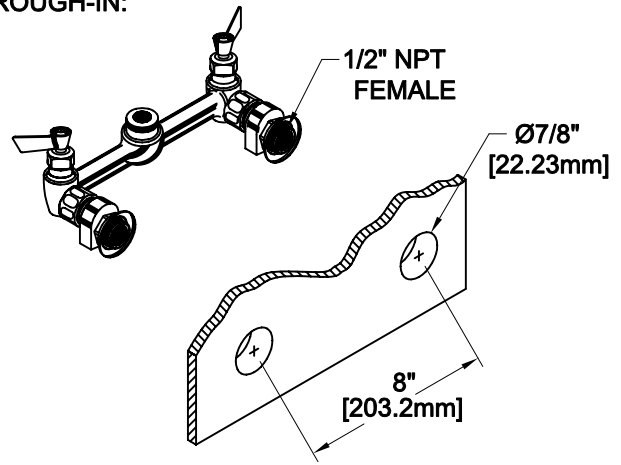
- UTILITY SPRAY VALVE**
- \* NOZZLE THREADED INTO VALVE
  - \* 2.65 GPM AT 80 PSI
  - \* SHOWER SPRAY PATTERN
  - \* 45° ANGLED HEAD

- SYSTEM LIMITS**
- \* TEMPERATURE: 40°F MIN. TO 140°F MAX.
  - \* PRESSURE: 200 PSI MAX. STATIC

- SHIPPING WEIGHT**
- \* 6.0 LBS



**ROUGH-IN:**



ANSI/A112.18.1M

**FISHER**  
 FISHER MANUFACTURING COMPANY  
 TOLL FREE: 800-421-6162 - FAX: 800-832-8238  
 information@fisher-mfg.com - www.fisher-mfg.com