

PRODUCT NAME:

**WALL ADJ. POT FILLER W/SHUT-OFF**

\_\_\_\_\_ SPECIAL CONFIGURATION  
(CHECK BASE MODEL AND OPTIONS)

MODEL:

2305

OPTIONS OR MODIFICATIONS:

- VANDAL RESISTANT KIT
- HANDLES (CROSS OR WRIST) CIRCLE STYLE
- OTHER \_\_\_\_\_

FEATURES:

- \* SWIVEL OUTLET
- \* ECCENTRICS ADJUST FROM 7-1/2" TO 8-1/2"
- \* SWIVELING SEAT DISKS
- \* HOT SIDE STEM - RIGHT HAND, COLD - LEFT HAND
- \* STAINLESS STEEL SEATS
- \* STAINLESS STEEL SEAT SCREWS
- \* STAINLESS STEEL HANDLE SCREWS

HOSE

- \* 72" LG. HEAT MASTER FDA NITRILE/ARAMID
- \* NSF-51 (100 PSI W.P. @ 300°F) CONSTANT
- \* RENEWABLE END FITTINGS & BUMPER
- \* 360° SWIVEL POT FILLER SPOUT
- \* NONMARRING POT FILLER SPOUT
- \* SHUT-OFF SPOUT
- \* 360° SWIVEL ELBOW

RECOMMENDED SETTINGS

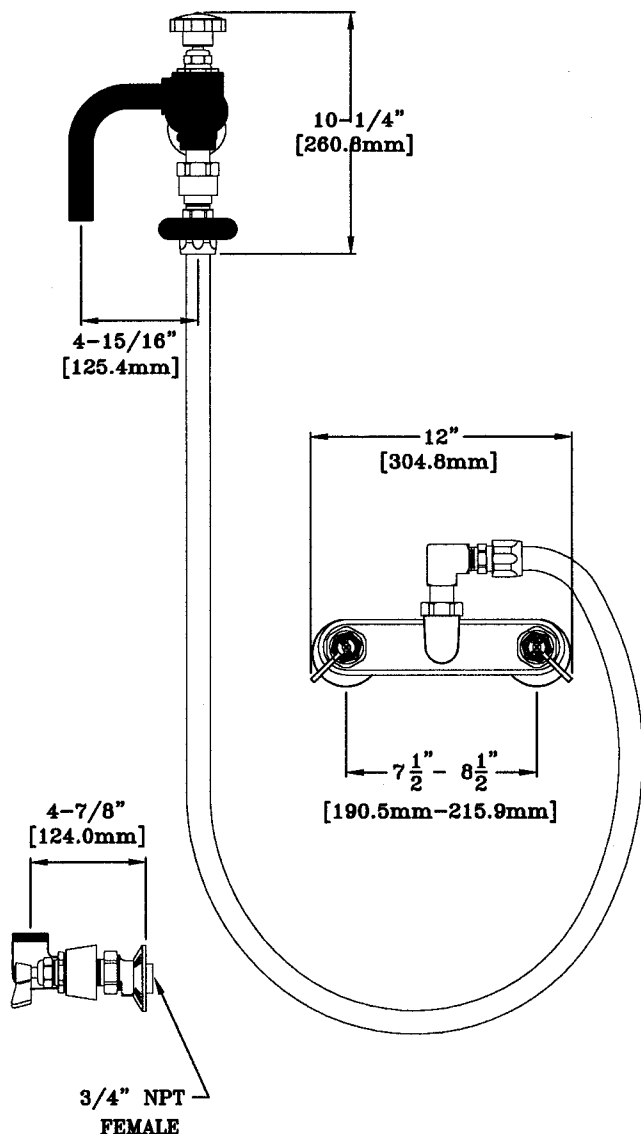
- \* 110°F AT 80 PSI

SYSTEM LIMITS

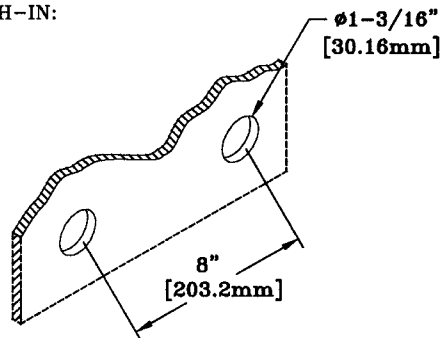
- \* TEMP: 40°F MIN. TO 140°F MAX.
- \* PRESSURE 200 PSI MAX. STATIC
- \* 37 GPM @ 80 PSI

SHIPPING WEIGHT

- \* 15.0 LBS



ROUGH-IN:



ANSI/A112.18.1M

FISHER MANUFACTURING COMPANY