

JOB NAME:

QUANTITY:

ITEM NO.:

PRODUCT NAME:

DrainKing WASTE VALVE

_____ SPECIAL CONFIGURATION
(CHECK BASE MODEL AND OPTIONS)

MODEL:

23531 WITH FLAT STRAINER & KNOB

OPTIONS OR MODIFICATIONS:

OTHER _____

FEATURES:

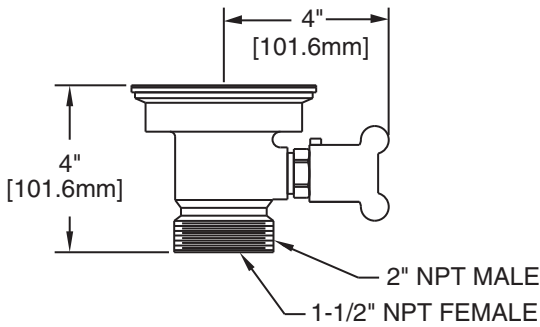
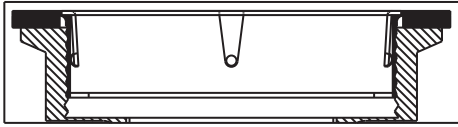
- * DUAL TEFLON SEALS
- * STAINLESS STEEL BALL
- * CAST RED BRASS BODY
- * EXTRA STURDY STAINLESS STEEL CLAMPING RING
- * "CLEAR THROUGH" OPENING - NO NEED TO DISASSEMBLE IF SNAKING IS REQUIRED
- * INDUSTRY STANDARD "SEALING" ANGLE - FITS FLUSH TO STANDARD STAINLESS STEEL SINKS
- * STAINLESS STEEL FLAT STRAINER
- * VANDAL RESISTANT KNOB
- * 1/4 TURN FULLY OPENS AND CLOSES VALVE

DRAIN RATE:

* 12 GPM

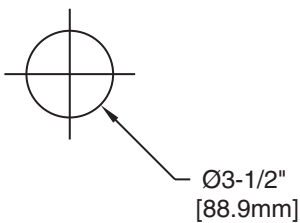
SHIPPING WEIGHT

* 5.0 LBS



ROUGH-IN:

DRAIN:



ANSI/A112.18.1M

FISHER MANUFACTURING COMPANY
 1900 SOUTH "O" STREET, TULARE, CALIFORNIA 93274
 MAILING ADDRESS: P.O. BOX 60, TULARE, CALIFORNIA 93275
 PHONE: (800) 421-6162 FAX: (800) 832-8238
 MADE IN U. S. A.