

**APPLICATION:**

**JOB NAME:**

**QUANTITY:**                      **ITEM NO.**

**PRODUCT NAME:**  
 8" ADJ. SERVICE SINK FAUCET WITH  
 SHORT SPOUT AND VACUUM BREAKER

\_\_\_\_\_ **SPECIAL CONFIGURATION**  
 CHECK BASE MODEL AND OPTIONS

**MODEL:**  
 2453      **WITH ECCENTRIC STOPS**

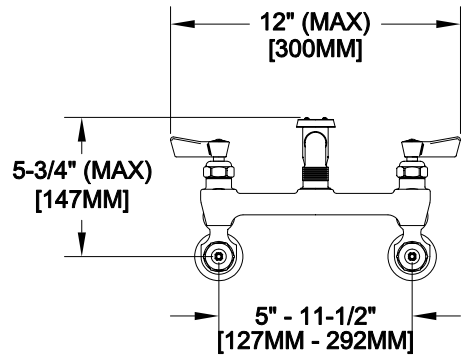
- OPTIONS OR MODIFICATIONS:**
- SUPPLY LINES (24" OR 36") CIRCLE LENGTH
  - NIPPLES
  - ELBOWS
  - VANDAL RESISTANT KIT
  - HANDLES (CROSS OR WRIST) CIRCLE STYLE
  - OTHER \_\_\_\_\_

**FEATURES**

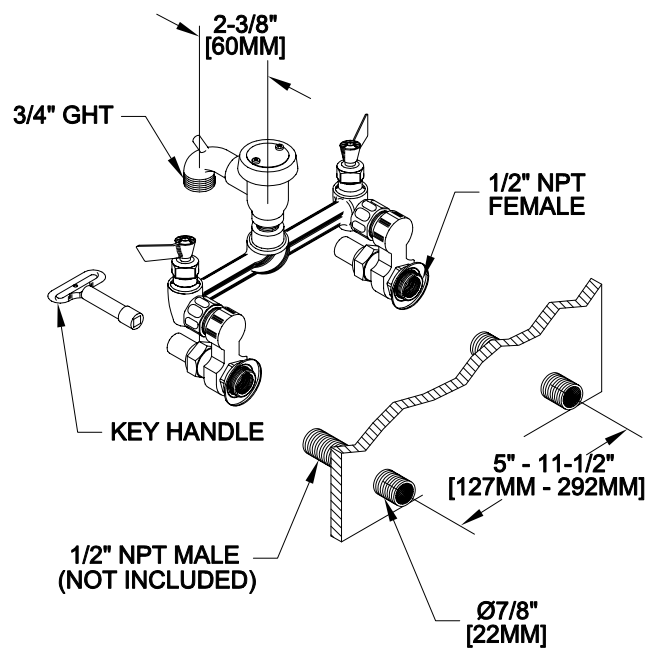
- CONTROL VALVE**
- \* KEY-STOP ECCENTRICS ADJUST FROM 5" TO 11-1/2"
  - \* INTERNAL SPRING LOADED CHECK VALVES
  - \* SWIVELLING SEAT DISKS
  - \* HOT SIDE STEM - RIGHT HAND
  - \* COLD SIDE STEM - LEFT HAND
  - \* ECCENTRICS STEMS - RIGHT HAND - SWIVELLING SEAT DISKS
  - \* STAINLESS STEEL SEATS
  - \* STAINLESS STEEL SEAT SCREWS
  - \* STAINLESS STEEL HANDLE SCREWS
  - \* ATMOSPHERIC VACUUM BREAKER

- SYSTEM LIMITS**
- \* TEMP: 40°F MIN. TO 140°F MAX.
  - \* PRESSURE: 200 PSI MAX. STATIC

**SHIPPING WEIGHT**  
 \* 6.85 LBS



**ROUGH-IN:**



**FISHER**  
 FISHER MANUFACTURING COMPANY  
 TOLL FREE: 800-421-6162 - FAX: 800-832-8238  
 information@fisher-mfg.com - www.fisher-mfg.com