

**APPLICATION:**

**JOB NAME:**

**QUANTITY:** \_\_\_\_\_ **ITEM NO.:** \_\_\_\_\_

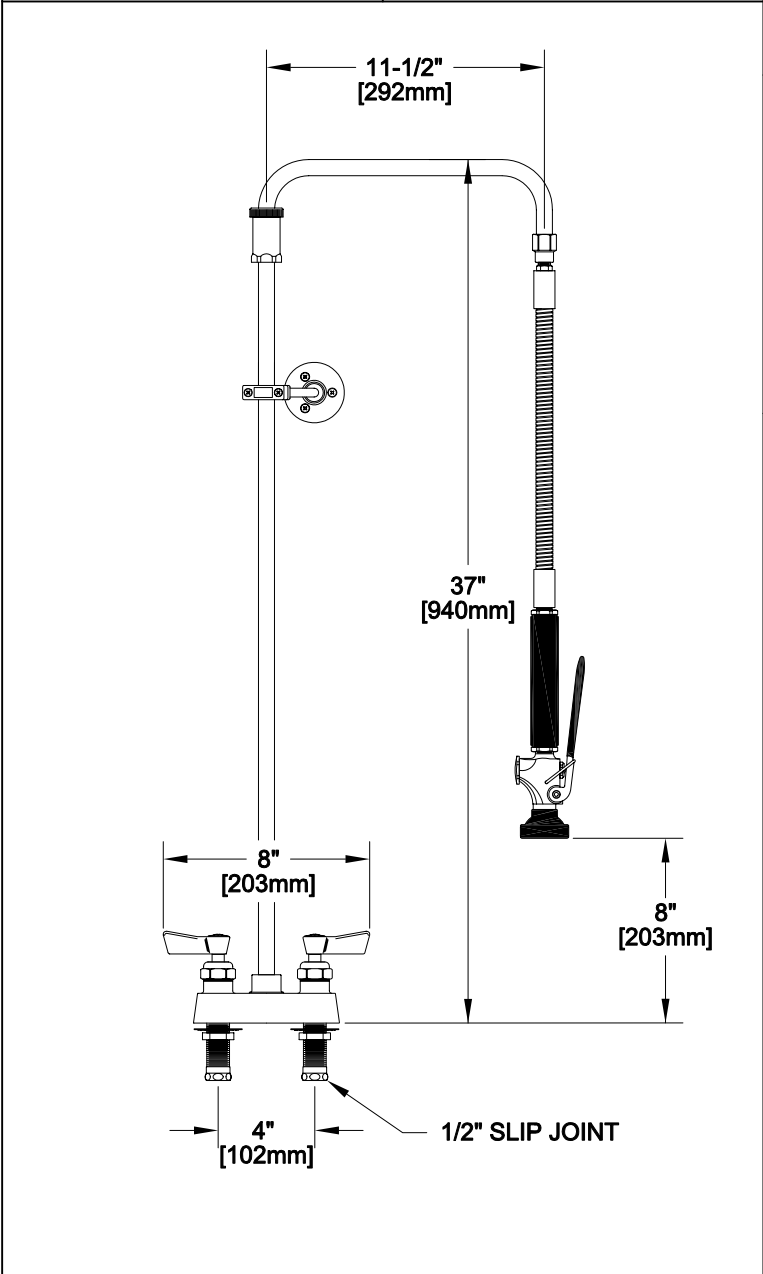
**PRODUCT NAME:**  
PRE-RINSE, SWIVEL STYLE,  
DECK MOUNT

\_\_\_\_\_ **SPECIAL CONFIGURATION**  
**CHECK BASE MODEL AND OPTIONS**

**MODEL:**

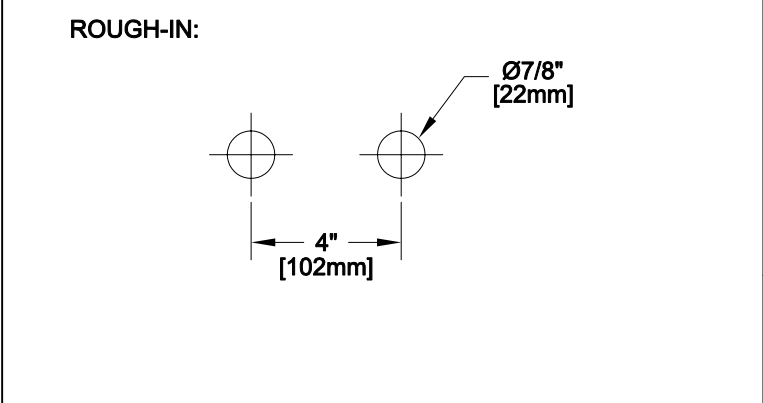
2511 ULTRA SPRAY VALVE NO WALL BRACKET

2511-WB ULTRA SPRAY VALVE W/ WALL BRACKET



- OPTIONS OR MODIFICATIONS:**
- SUPPLY LINES (24" OR 36") CIRCLE LENGTH
  - ADD-ON FAUCET (6", 8", 10", 12", 14", 16") CIRCLE
  - IN-LINE DUAL CHECK VALVE
  - PIPE HOOK
  - BRUSH
  - HANDLES (CROSS OR WRIST) CIRCLE STYLE
  - VANDAL RESISTANT KIT
  - OTHER \_\_\_\_\_

- FEATURES**
- CONTROL VALVE**
- \* 4" DECK MOUNT
  - \* INTERNAL SPRING LOADED CHECK VALVES
  - \* HOT SIDE STEM - RIGHT HAND
  - \* COLD SIDE STEM - LEFT HAND
  - \* SWIVELLING SEAT DISKS
  - \* STAINLESS STEEL SEATS
  - \* STAINLESS STEEL SEAT SCREWS
  - \* STAINLESS STEEL HANDLE SCREWS
- HOSE**
- \* 15-1/2" LENGTH
  - \* STAINLESS STEEL END FITTINGS
  - \* STAINLESS STEEL EXTERNAL JACKET
  - \* 3-PLY FIBER REINFORCED INTERNAL RUBBER HOSE
- ULTRA SPRAY VALVE**
- \* LOWEST ENERGY USER - 1.15 GPM @ 60 PSI
  - \* CLEANS FASTER - TEST PROVEN
  - \* ENGINEERED TO LAST - NO 'O' RINGS TO LEAK
  - \* INTERCHANGEABLE - FITS ALL BRANDS
- SYSTEM LIMITS**
- \* TEMP: 40°F MIN. TO 140°F MAX.
  - \* PRESSURE: 200 PSI MAX. STATIC
- SHIPPING WEIGHT**
- \* 12.0 LBS



**FISHER**  
FISHER MANUFACTURING COMPANY  
TOLL FREE: 800-421-6162 - FAX: 800-832-8238  
information@fisher-mfg.com - www.fisher-mfg.com