

**APPLICATION:**

**JOB NAME:**

**QUANTITY:** \_\_\_\_\_ **ITEM NO.:** \_\_\_\_\_

**PRODUCT NAME:**  
**4" BACKSPLASH CONTROL VALVE  
 RIGID OUTLET**

\_\_\_\_\_ **SPECIAL CONFIGURATION  
 CHECK BASE MODEL AND OPTIONS**

**MODEL:**  
 **2600-CV**

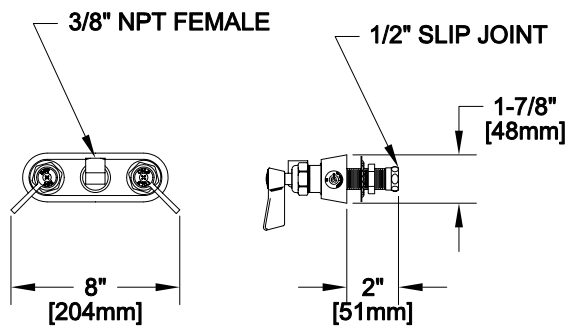
**OPTIONS OR MODIFICATIONS:**  
 **OTHER** \_\_\_\_\_

**FEATURES**

**CONTROL VALVE**

- \* 4" BACKSPLASH
- \* INTERNAL SPRING LOADED CHECK VALVES
- \* SWIVELLING SEAT DISKS
- \* HOT SIDE STEM - LEFT HAND
- \* COLD SIDE STEM - RIGHT HAND
- \* STAINLESS STEEL SEATS
- \* STAINLESS STEEL SEAT SCREWS
- \* STAINLESS STEEL HANDLE SCREWS

**SHIPPING WEIGHT**  
 \* 3.25 LBS



**ROUGH-IN:**

