

APPLICATION:

JOB NAME:

QUANTITY: ITEM NO.

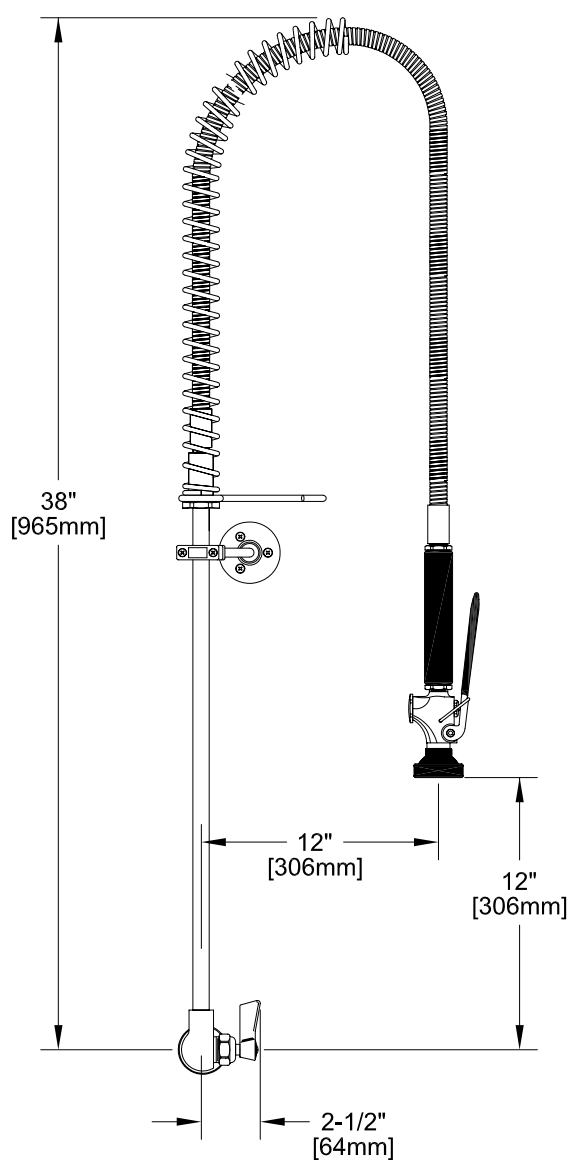
PRODUCT NAME:
PRE-RINSE SPRING STYLE,
SINGE WALL MOUNT

SPECIAL CONFIGURATION
 _____ CHECK BASE MODEL AND OPTIONS

MODEL:
 2710 ULTRA SPRAY VALVE, NO WALL BRACKET
 2710-WB ULTRA SPRAY VALVE, WALL BRACKET

OPTIONS OR MODIFICATIONS:
 SUPPLY LINES (24" OR 36") CIRCLE LENGTH
 ADD-ON FAUCET (6", 8", 10", 12", 14", 16") CIRCLE
 IN-LINE DUAL CHECK VALVE
 BRUSH
 NIPPLES
 ELBOWS
 VANDAL RESISTANT KIT
 HANDLES (CROSS OR WRIST) CIRCLE STYLE
 OTHER _____

- FEATURES
- CONTROL VALVE
* SINGLE WALL MOUNT
* SWIVELLING SEAT DISK
* STEM - RIGHT HAND
* STAINLESS STEEL SEAT
* STAINLESS STEEL SEAT SCREW
* STAINLESS STEEL HANDLE SCREW
* HOT AND COLD INDEX BUTTONS
- HOSE
* 36" LENGTH
* STAINLESS STEEL END FITTINGS
* STAINLESS STEEL EXTERNAL JACKET
* 3 PLY FIBER REINFORCED INTERNAL RUBBER HOSE
* REPAIRABLE IN FIELD WITH SIMPLE TOOLS
- ULTRA SPRAY VALVE
* LOWEST ENERGY USER - 1.15 GPM @ 60 PSI
* CLEANS FASTER - TEST PROVEN
* ENGINEERED TO LAST - NO 'O' RINGS TO LEAK
* INTERCHANGEABLE - FITS ALL BRANDS
- WALL BRACKET
* ADJUSTS FROM 2" TO 12"
- SYSTEM LIMITS
* TEMP: 40°F MIN. TO 140°F MAX.
* PRESSURE: 200 PSI MAX. STATIC
- SHIPPING WEIGHT
* 10.0 LBS



ROUGH-IN:

