

APPLICATION:

JOB NAME:

QUANTITY:                      ITEM NO.

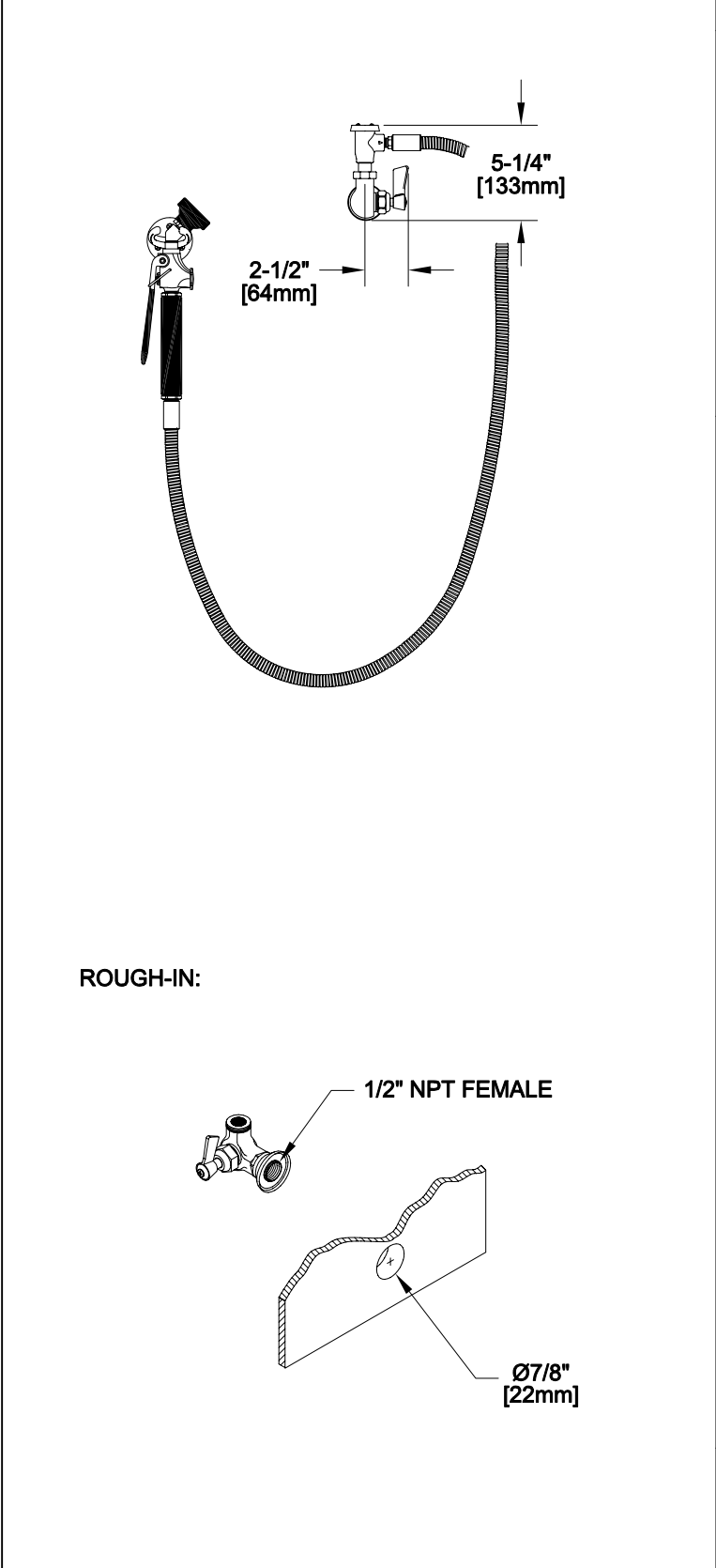
PRODUCT NAME:

UTILITY SPRAY WALL MOUNT

\_\_\_\_\_ SPECIAL CONFIGURATION  
CHECK BASE MODEL AND OPTIONS

MODEL:

2760



OPTIONS OR MODIFICATIONS:

SUPPLY LINES (24" OR 36") CIRCLE LENGTH

ADD-ON FAUCET (6", 8", 10", 12", 14", 16") CIRCLE

IN-LINE DUAL CHECK VALVE

PIPE HOOK

NIPPLES

ELBOWS

BRUSH

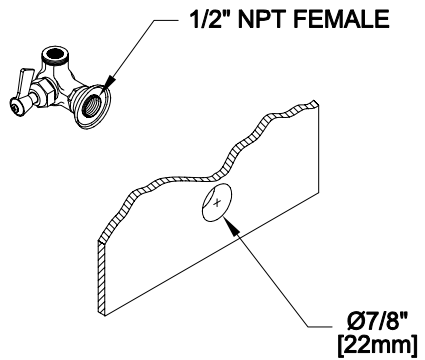
HANDLES (CROSS OR WRIST) CIRCLE STYLE

VANDAL RESISTANT KIT

OTHER \_\_\_\_\_

- FEATURES**
- CONTROL VALVE**
- \* SINGLE WALL
  - \* STEM - RIGHT HAND
  - \* SWIVELLING SEAT DISK
  - \* HOT AND COLD INDEX BUTTONS
  - \* STAINLESS STEEL SEAT
  - \* STAINLESS STEEL SEAT SCREW
  - \* STAINLESS STEEL HANDLE SCREW
- HOSE**
- \* 60" LENGTH
  - \* STAINLESS STEEL END FITTINGS
  - \* STAINLESS STEEL EXTERNAL JACKET
  - \* 3-PLY FIBER REINFORCED INTERNAL RUBBER HOSE
  - \* REPAIRABLE IN-FIELD WITH SIMPLE TOOLS
- UTILITY SPRAY VALVE**
- \* NOZZLE THREADED INTO VALVE
  - \* SHOWER SPRAY PATTERN
  - \* 45° ANGLED HEAD
  - \* BRONZE HANDLE - NOT PLASTIC - MEANS FULL "ON"
  - \* FITS ALL BRANDS
  - \* 2.65 GPM AT 80 PSI
- SWIVEL ELBOW**
- \* 360° TURNING RADIUS
  - \* ATMOSPHERIC VACUUM BREAKER
- SYSTEM LIMITS**
- \* TEMP: 40°F MIN. TO 140°F MAX.
  - \* PRESSURE: 200 PSI MAX. STATIC
- SHIPPING WEIGHT**
- \* 7.5 LBS

ROUGH-IN:



FISHER MANUFACTURING COMPANY  
 TOLL FREE: 800-421-6162 - FAX: 800-832-8238  
 information@fisher-mfg.com - www.fisher-mfg.com